



Manufacturers and Industrial Agents

www.garrickherbert.com.au

# Product Catalogue 2019



# The Company

Garrick Herbert Pty Ltd was established in March 1981 as the newest member of the Herbert Engineering Group. Its parent company, R.R. Bramley & Co. Ltd was founded in Auckland, New Zealand in 1921 by Richard Bramley as an Engineering workshop. Philip Herbert purchased the company in 1954 and commenced production of the 'BRAMLEY' range of small engineering machine tools. Exports of these products to Australia grew to the stage that his youngest son, Myles Herbert, moved to Sydney to establish Garrick Herbert P/L as a local base for distribution of the range throughout Australia.

To complement the Bramley range, international brands for allied quality products were introduced. Early additions were the Asada Threading Machines and Irega Adjustable Wrenches - both now market leaders in Australia.

In 1987 manufacturing at the Sydney operation began with the introduction of 'Bramley - Aust Made' sheetmetal Curving Rolls. Following the success of that product range LINISHALL, the brand leader in Belt Grinding, was purchased in 1991 and integrated into the Sydney facility.

The company now represents a diverse collection of reputable manufacturers from Australia, New Zealand, Japan, USA, Spain, Thailand, China and other countries and distributes their products through Industrial Supply and Machinery Merchants throughout Australia. Only the highest quality products suitable for industrial trade users are selected.

Products include: hand and machine tools, machinery, lifting and materials handling equipment, cutting oils and absorbents, etc.

Every effort has been made to publish the correct details in this catalogue. No responsibility will be taken for errors, omissions or changes in product specifications.

**BRAMLEY**



*EverSoak*<sup>™</sup>



# Contents

<b>Steel Bending and Forming</b>	<b>4</b>	<b>Bench-mounted</b>	<b>4</b>	<b>Hand Tools</b>	<b>35</b>
Bar Benders	4	Belt Grinding Machines	19	Chrome Adjustable Wrenches	
Rod Bender	4	Pedestal-mounted	19	Model 77 - Traditional Design	35
Manual Thin Wall Tube Bender	4	Belt Grinding Machines	19	Black Adjustable Wrenches	
Pool Fence Tube Bender	4	Heavy-duty Linishers	19	Model 77 - Traditional Design	35
Wrought Iron Scroll Bender Attachment	5	Abrasive Discs	20	Black Adjustable Wrenches	
Picket & Basket Twister Attachment	5	Hook & Loop Conversion Disc	20	Model 99 - Ergonomic Design	35
Fully Optioned Wrought Iron Bender	5	Grinding Wheels	20	Model 92 Wrenches	35
Hydraulic Thin Wall Tube Bender	6	Wire Wheels	20	SWO Adjustable Wrenches	36
Electric Hydraulic Thin Wall Tube Bender	6	Taper Spindles	20	1000V Insulated Adjustable Wrenches	37
Hydraulic Pipe Bender	6	Rubber Contact Wheels	21	Xtra Slim Jaw SWO Adjustable Wrenches	37
Replacement Pipe bender Formers	6	Abrasive (Linishing) Belts	21	Reversible Jaw Wrenches	37
Electric-hydraulic Pipe Bender	7	<b>Threading &amp; Roll Grooving</b>	<b>22</b>	Aluminium Pipe Wrenches	38
Pro Bender 35T	7	Pipe & Bolt Threading Machines	22	Chain & Strap Wrenches	38
Pro Bender Large V Attachment	7	Trolley Cart - Suits Beaver 50	22	Steel Pipe Cutters	38
Pro Bender Pipe Bending Attachment	7	Rod/Bolt Threading Machine	23	Heavy-duty Steel Pipe Cutter	38
Pro Bender Rebar	7	Neat Threading Oil	23	Tube Cutters	38
Bending & Straightening Attachment	7	Spare Dies	23	Telescopic Tube Cutters	39
Sheetmetal Guillotine	8	Spare Die Heads	23	Tube Benders	39
Box & Pan Sheetmetal Folder	8	Nipple Chuck Set	23	Tube Springs Set	39
4 ft Box & Pan Sheetmetal Folder	8	Dies & Diehead Compatability Chart	48-49	Basin Wrench 32mm	39
Bench Curving Rolls	9	Hand Ratchet Pipe Threaders	25	Flaring Tools	39
Sheetmetal Curving Rolls	9	Portable Power Pipe Threaders	25	Expander Kit	39
Sheetmetal Swage,		Footswitch	25	Plastic Pipe Shears	40
Jenny & Wiring Machines	9	Chain Vice	25	Ratcheting Pipe Shears	40
		Roll Groover	26	Plastic Hose/Conduit Cutters	40
<b>Steel Cutting</b>	<b>10</b>	Roll Groover Adapter & Drivebar	26	Internal/External Deburrer	40
Hand Lever Shears	10	Hydraulic Roll Groovers	26	Pressure Test Pumps	40
Hand Lever Bench Punch	10	Power Drive	26	Brazing & Soldering Torch	41
Chassis Hole Punches	10	Roll Groover Suits Beaver 50	27	Air/Acetylene Torch Kit	41
Drill Drift	10	Roll Grooving Attachment	27	<b>Spill Management</b>	<b>42</b>
Model BSAW100 - 4" Bandsaw	11	Pipe Stand	27	Natural Zeolite Absorbent	42
Model BS712 - 7" Bandsaw	11	Portable Work Stand	27	Absorbent Pads	42
Model BS8SW - 8" Bandsaw	11	Reciprocating Pipe Saw	27	Universal Organic Absorbent	42
Model BS260 - 9" Bandsaw	12	<b>Lifting</b>	<b>28</b>	Workshop or Yard Universal Spill Kits	43
Heavy-duty Industrial Roller Stands	12	Round Webbing Slings	28	Organic Absorbent Booms	43
Replacement Bandsaw Blades	12	Flat Webbing Slings	29	Transport or Workshop Universal Spill Kits	43
Heavy-duty Conveyor Roller Tables	12	Heavy-duty Ratchet Tie Downs	29	Bio-Waste Absorbent	44
Reciprocating Pipe Saw	13	Mini Chain Block	30	<b>Cutting Oils</b>	<b>44</b>
Industrial Drill Presses	14	Mini Lever Hoists	30	Soluble Cutting Oil	44
Drill Drift	15	GARRICK Chain Blocks - Load Limited	30	Neat Threading Oil	44
Multi-purpose Drill & Knife Sharpener	15	GARRICK Lever Hoists - Load Limited	30	<b>Index to Products</b>	<b>48</b>
		TOHO Industrial Chain Blocks	31		
<b>Grinding</b>	<b>16</b>	TOHO Industrial Lever Hoists	31		
Utility Bench Grinder	17	Girder Trolleys	31		
Heavy-duty Bench Grinders	17	Girder Clamps	31		
Combined Wheel & Belt Grinders	18	Universal Plate Clamps	31		
Belt & Disc Grinding Attachment	18	Electric Chain Hoists	32		
Bench Grinder Accessories	18	Compact Builders Hoist	32		
Polisher	18	Universal Chain & Clamp Drum Lifter	33		
Bench Grinder Stand	18	Vertical Drum Clamp	33		
Mitre table	18	Grade S Shackles	33		
Belt Grinding Attachments	19	Load Skate Kit	34		
		Load Skates	34		

## BRAMLEY



### Bar Benders

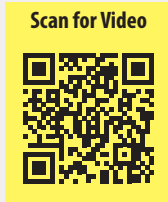
Model: AB1

Features 4-position quick cam action clamping.

Model: AB2

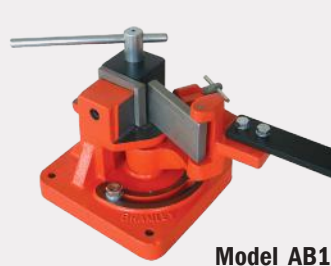
Uses full vice clamping with double spring return.

- Solid cast iron construction with swivel casting made from spheroidal graphite iron for extra strength
- Infinitely adjustable angle stop to achieve bends from 0° to just over 90°
- Swivel bending plate adjusts against steel being bent for sharp bending radius
- Optional stand

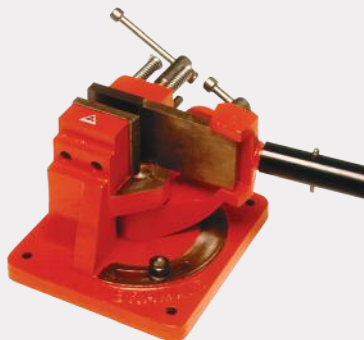


Mild Steel	AB1	AB2
FLAT BAR	80 x 6mm or 60 x 8mm or 30 x 12mm	100mm x 8mm or 60 x 10mm or 50 x 12mm
SQUARE	20 x 20mm	25 x 25mm
ROUND	Ø 20mm	Ø 25mm

Capacities are rated on volume of steel to be bent.  
(i.e. as height is increased, width must be correspondingly decreased)



Model AB1



Model AB2



Model AB2 mounted onto optional stand Part No. ABSTAND

## BRAMLEY



### Rod Bender

Model: 60/16

Up to 16mm M.S. rod capacity.

- Simple and easy to use rod bender
- When bending deformed section reinforcing bar, the effective diameter of the rod has been increased due to the deformation pieces: capacity is therefore reduced
- Now has 50, 60 & 80mm rollers



## BRAMLEY



### Manual Thin Wall Tube Bender

For bending thin wall tube up to 90° in one operation.

Model: TBRD - Round (1.6mm wall thickness)

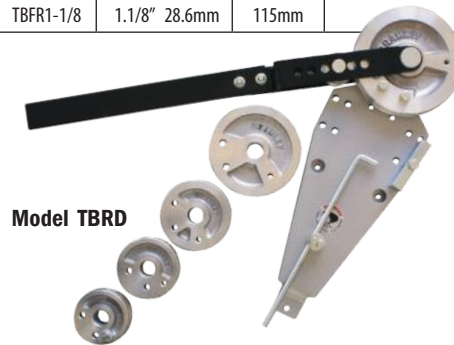
Supplied with a set of 5 formers & follow roller to suit round tube (1/2" - 1" dia).

Model: TBSQ - Square

Supplied with a set of 5 formers & follow roller to suit square tube (1/2" - 1").

- Now with lightweight aluminium alloy formers
- Square formers can fit onto the round tube bender (& vice-versa)
- The 1.1/8" round former is an optional extra
- Optional stand - incorporates storage pegs for formers

Round Formers			Square Formers		
MODEL	TUBE SIZE	RADIUS OF BEND	MODEL	TUBE SIZE	RADIUS OF BEND
TBFR1/2	1/2" 12.7mm	50mm	TBFS1/2	1/2" 12.7mm	65mm
TBFR5/8	5/8" 16.0mm	55mm	TBFS5/8	5/8" 16.0mm	85mm
TBFR3/4	3/4" 19.0mm	65mm	TBFS3/4	3/4" 19.0mm	100mm
TBFR7/8	7/8" 22.2mm	85mm	TBFS7/8	7/8" 22.2mm	115mm
TBFR1	1" 25.4mm	100mm	TBFS1	1" 25.4mm	115mm
TBFR1-1/8	1.1/8" 28.6mm	115mm			



Model TBRD



Model TBRD shown in use and mounted on optional stand (Model: TBSTAND) which incorporates storage pegs for formers.



## BRAMLEY



### Pool Fence Tube Bender

Model: TBPf

For bending tube into a tight radius (up to 180°) - such as for pool fencing to meet Australian Standards.

- The standard unit is supplied with one former and follow roller suitable for 5/8" dia. round tube to give 100mm centres bending diameter

Model	Description	Bending Dia. Centres
TBFR1/2	Tube Bender Former - Round 1/2in	100mm
TBFR5/8PF	Tube Bender Former - Round 5/8in PF	100mm
TBFR5/8	Tube Bender Former - Round 5/8in	110mm
TBFR3/4PF	Tube Bender Former - Round 3/4in PF	110mm
TBFR5/8PF	Follow Roller - Round 5/8in PF	
TBFR3/4PF	Follow Roller - Round 3/4in PF	





## BRAMLEY



### Wrought Iron Scroll Bender Attachment

Model: B-WI

Fits onto the TBRD Tube Bender (separate supply) or can be mounted to your own workshop vice

For bending scrolls, eyes, spiral shapes and other complex shapes from round, square and flat bar in one operation.

- Tooling Plate has 48 holes drilled and tapped allowing tooling to be fitted anywhere on tooling plate
- Can bend Mild Steel up to 12mm (1/2") Round or Square (Minimum radius 10mm for 12mm material, 7mm for 10mm material)
- Can bend 25 x 6mm (1" x 1/4") Flat Mild Steel with a 7mm min. radius
- Will bend in any direction with unlimited number of rotations (depending only on material used)
- Standard range of scroll shape dies supplied with unit



Wrought Iron Bender Attachment on optional TBSTAND Tube Bender Stand.



Scan for Video



Wrought Iron Bender Attachment Components



Round bar



Flat bar



Eye in end of bar

## BRAMLEY



### Picket & Basket Twister Attachment

Model: B-PBT

Fits onto the TBSTAND Tube Bender Stand (separate supply) or can be mounted onto the leg of any suitable bench

For bending pickets and baskets from square and flat bar in one operation.

Produces:

- Cages from 6mm square mild steel bar
- Twists from 6mm x 25mm flat mild steel bar or 12.5mm square



Picket & Basket Twister Attachment on optional TBSTAND Tube Bender Stand.

### Fully Optioned Wrought Iron Bender

Model: B-WIC

Includes:

- TBRD Tube Bender
- TBSTAND Tube Bender Stand
- B-WI Wrought Iron Bender Attachment
- B-PBT Picket & Basket Attachment



Model	Description
B-WI-TBA	Wrought Iron Bender attachment (Fits to suit existing Bramley Tube Bender)
B-WI	Wrought Iron Bender complete (Including Handle, Follow Roller etc - Held in a vice or bolted to a bench)
B-PBT	Picket & Basket Twister attachment (Bolts onto Bramley Tube Bender Stand or the side of a substantial bench)
B-WIC	Fully Optioned Wrought Iron Bender (Includes Round Tube Bender 1/2" - 1", Tube Bender Stand, Wrought Iron Bender Attachment, Picket & Basket Twister Attachment)

## BRAMLEY



### Hydraulic Thin Wall Tube Bender

Model: TBHYD

Supplied standard with

1", 1.1/2" & 2" tube formers. 1" - 2" O.D. capacity and up to 2mm wall thickness in mild steel.

- 180° maximum bend, so perfect for producing U-bends
- 12T manual hydraulic ram for ease of bending
- Precision machined Tube Slippers & Formers for bend quality
- Shipping weight: 62 kg

Model	Tube Size	Centreline Radius of Bend
TBHF1	1" (25.4mm)	115mm
TBHF1-1/8	1.1/8" (28.6mm)	115mm
TBHF1-1/4	1.1/4" (31.8mm)	115mm
TBHF1-3/8	1.3/8" (35mm)	140mm
TBHF1-1/2	1.1/2" (38mm)	140mm
TBHF1-5/8	1.5/8" (41.3mm)	140mm
TBHF1-3/4	1.3/4" (44.5mm)	165mm
TBHF1-7/8	1.7/8" (47.6mm)	165mm
TBHF2	2" (51mm)	165mm



## BRAMLEY



### Hydraulic Pipe Bender

Model: PB2

Supplied with six formers, two bobbins (support rollers) and pins.

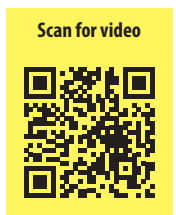
1/2" - 2" N.B. Pipe capacity.

- Lightweight aluminium alloy formers with large angle of arc to support pipe during bending. This results in a bend of superior quality.
- Cross section of formers is of "elliptical" form to minimise flattening of bend
- Solid frame fabrication eliminates flexing during bending operation
- Shipping Weight: 64 kg



#### New Features

1. Two-stage pump action. Allows quick pumping out of former to point where load is applied, and then less effort needed during bending
2. Flip top frame for easy pipe placement & removal and changing of former size.
3. Spring return ram.
4. Bending angle measuring stop
5. Gravity Diecast aluminium alloy formers. Same specifications but higher quality finish.



## BRAMLEY



### Electric Hydraulic Thin Wall Tube Bender

Model: TBHYD-E

Same specifications as Model TBHYD manual version (above), but fitted instead with the compact BRAMLEY Electric/Hydraulic Ram fitted for ease of use & speed of operation.

- Shipping weight: 73kg



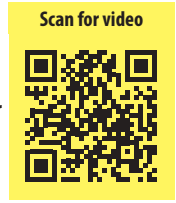
## BRAMLEY



### Replacement Pipe Bender Formers

- Lightweight, aluminium alloy formers of "elliptical" design and large angle of arc to achieve superior quality bends
- To replace lost or damaged formers for BRAMLEY and other brands of Pipe Bender
- When using BRAMLEY formers on another brand of pipe bender, ensure distance between rollers is not too close which can cause former damage
- The ram spigot hole on BRAMLEY formers is 38mm. This can be bushed to suit smaller ram diameters

Model	Former	Radius of Bend	Model	Former	Radius of Bend
PBF1/2	1/2"	75mm	PBF1-1/4	1.1/4"	175mm
PBF3/4	3/4"	105mm	PBF1-1/2	1.1/2"	200mm
PBF1	1"	140mm	PBF2	2"	240mm



## BRAMLEY



### Electric-Hydraulic Pipe Bender

Model: PB2-E

Supplied standard with 1/2" & 2" pipe formers.

- Lightweight aluminium alloy formers with large angle of arc to support pipe during bending. This results in a bend of superior quality
- Cross section of formers is of "elliptical" form to minimise flattening of bend
- Solid frame fabrication eliminates flexing during bending operation
- Comes with BRAMLEY Electric/Hydraulic Ram fitted for ease of use & speed of operation.
- Shipping Weight 65kg



Scan for video



## BRAMLEY



### Pro Bender 35T

Model: PROBENDER

35T Hydraulic Bending Machine

- 35 ton force / 415v, 3HP



- The standard machine is a robust powered hydraulic bender of 35 tonne rated capacity supplied with attachment for bending flat bar up to 100 x 12 mm or round & square bar up to 25mm
- Optional accessories are available: for bending larger flat bar sizes, pipe bending, reinforcing rod & straightening bars etc

## BRAMLEY

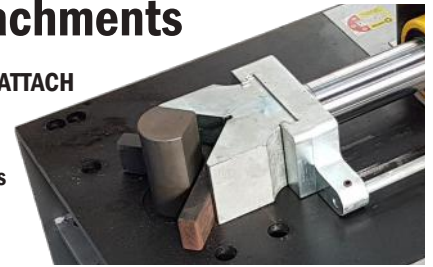


### Pro Bender 35T Optional Attachments

Model: PROBENDER-LGV-ATTACH

Large V bending Attachment

- Enables bending of larger sections of flat bar such as 75 x 16mm or 50 x 20mm



## BRAMLEY



Model: PROBENDER-PB-ATTACH

Pipe Bending Attachment

- Comprises of a Pipe Bending frame & the BRAMLEY aluminium alloy elliptical formers for bending pipe from 1/2" - 2" N.B.



## BRAMLEY



Model: PROBENDER-RS-ATTACH

Rebar Bending & Straightening Attachment

- For bending round & reinforcing bar up to 32mm dia.
- Can also be used for straightening up to 40mm dia. round bar or 50 x 25mm flat bar etc



## BRAMLEY



Models:

PROBENDER-TBRD-ATTACH (1/2"-1" Round)

PROBENDER-TBSQ-ATTACH (1/2"-1" Square)

Tube Bending Attachments

- Bender Frame and Formers for tube bending from 1/2" - 1" nominal size across flats. (1/8" optional Round)



Further attachments such as tube bending, up to 3" N.B. pipe bending and pipe notching as well as other innovative uses for the machine are currently under active development





## Sheetmetal Guillotine

Model: TG412 - 1320 x 1.2 mm capacity

- Foot operated Manual Treadle Sheetmetal Guillotine
- Heavy cast iron frame and beam
- Front sheet support with adjustable cutting gauge
- Ruled backgauge with micro adjustment
- Adjustable mitre gauge



## 4 ft Box & Pan Sheetmetal Folder

Model: F42 - 1220 x 2.5 mm capacity

- Bending angle: 0° - 135°
- Manual sheetmetal panbrake with segmented blade.
- Heavy duty all steel construction
- Segmented bending blade - ideal for box section bending
- Interchangeable finger segments for a wide variety of box & pan sizes
- Adjustable balance counterweight for ease of operation and bending.
- Adjustable angle stop for repetitive bends
- Shipping: 175 x 75 x 94 cm (513 kg Nett / 575 kg Gross)



## BRAMLEY



## Box & Pan Sheetmetal Folder

Model: 2F - 610 x 1.2 mm capacity

- Bench mounting
- Heavy duty all steel construction
- Made to the same quality and precision specifications as larger machines, but with compact size and economy
- Interchangeable finger segments for a wide variety of box & pan sizes
- Cam adjustment on top beam provides simple and positive setting for different material thickness
- Simple robust clamping action





## BRAMLEY



### Bench Curving Rolls

Model: 18ROLLS - 25mm x 450mm Rolls - 0.8 mm capacity

- Heavy duty all steel construction
- Top roll lifts for easy removal of tubular work
- Top roll lifts for easy removal of tubular work



### Sheetmetal Curving Rolls

Model: 2.5X50 - 63mm x 1270mm Rolls x 1.6 mm capacity

- Solid steel & investment cast construction
- Wide sheetmetal base for stability
- Top roller lifts out for small diameter rolling
- Quick roller adjustment



## BRAMLEY



### Sheetmetal Swage, Jenny & Wiring Machines

Model: SJ2 - manual - 16 swg (1.6 mm) capacity

Model: SJ2-M - powered - 16 swg (1.6 mm) capacity

Supplied with heavy-duty 750W (1HP), 3Ph motor and reduction gearbox to drive the rollers at 38rpm, controlled via interlocked forward / reverse footswitches.

- High quality, robust, industrial duty machines, manufactured from high grade grey cast iron, which provides good strength whilst also providing a very good bearing surface for the rotating shafts and slider blocks

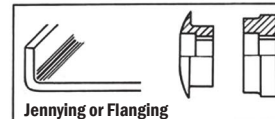
Capacity	SJ2 / SJ2-M
SHEET	16 g (1.6mm)
THROAT DEPTH (with guide)	100mm
(without guide)	240mm



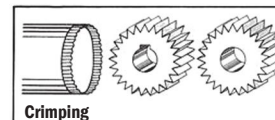
Model: SJ2



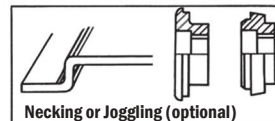
#### Standard wheels - SJ2



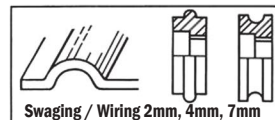
Jennying or Flanging



Crimping



Necking or Jogging (optional)



Swaging / Wiring 2mm, 4mm, 7mm



Model: SJ2-M

#### Optional wheels - SJ2

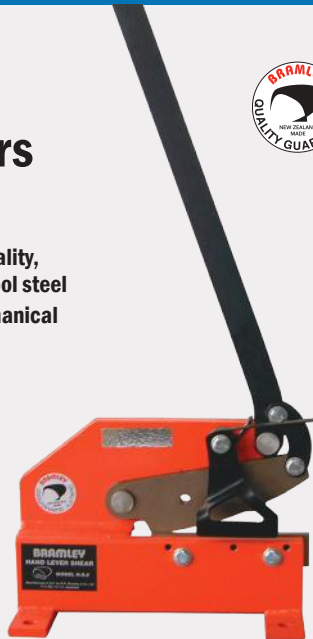
- 10mm Swaging / Wiring
- Necking

## BRAMLEY

### Hand Lever Shears

Model: HS4  
Model: HS5

- Blades manufactured from high quality, wear resistant, precision ground tool steel
- Lever toggle action gives high mechanical advantage for easy cutting
- Body manufactured from thick section mild steel plate
- Handle balance spring assists ease of operation
- Simple lower blade adjustment for correct shearing tolerances
- Suitable for cutting sheetmetal



Capacity	Model HS4	Model HS5
Plate	4mm	5mm
Flat	60 x 5mm	70 x 6mm
Round	11mm	13mm
Blade Length	155mm	200mm
Cutting Length (Max)	125mm	175mm

## BRAMLEY

### Hand Lever Bench Punch

Model: PUNCH

For punching holes in sheetmetal.  
Supplied complete with all punches and dies for 3mm to 10mm.

- Punches and dies manufactured from high quality, wear resistant, precision ground tool steel
- Body manufactured from thick section steel plate
- The hand lever rotates a bronze eccentric cam giving the necessary mechanical advantage to a sliding plate which carries the punch



Punch Diameter	Material Thickness	Punch Diameter	Material Thickness
3mm	1.5mm	6mm	2.5mm
4mm	2mm	8mm	2.5mm
5mm	2.5mm	10mm	2.5mm

## BRAMLEY

### Chassis Hole Punches

1/2" - 3" individual sizes available  
(see table below)

Model: CPSET - set of 6 popular sizes  
(16, 20, 22, 25.5, 32 & 35 mm)

- 3 point design on punch for easier cutting
- Upgraded toolsteel specification for increased life & performance
- Cut Stainless Steel more easily than previous design
- For simple cutting of neat holes in sheetmetal



Simple to use:

1. Drill a hole approximately 1mm larger than drive screw
2. Insert screw through die
3. Place screw through hole in metal & screw on punch
4. Turn drive screw with spanner or wrench until metal is cut

Scan for video



CPSET - Set of 6

Model	Size	Capacity (Mild Steel)	Capacity (Stainless Steel)	Bolt Thread
CP12.5	1/2" (12.5mm)	2mm	1.6mm	M8
CP16	5/8" (16mm)	2mm	1.6mm	M8
CP19	3/4" (19mm)	2mm	1.6mm	M10
CP20	20mm	2mm	1.6mm	M10
CP22	7/8" (22mm)	2mm	1.6mm	M10
CP25.5	1" (25.5mm)	2mm	1.6mm	M12
CP28.5	1-1/8" (28.5mm)	2.5mm	2mm	M12
CP30	1-3/16" (30mm)	2.5mm	2mm	M12
CP32	1-1/4" (32mm)	2.5mm	2mm	M12
CP35	1-3/8" (35mm)	2.5mm	2mm	M12
CP38	1-1/2" (38mm)	2.5mm	2mm	M12
CP41.5	1-5/8" (41.5mm)	2.5mm	2mm	M20
CP44.5	1-3/4" (44.5mm)	2.5mm	2mm	M20
CP48	1-7/8" (48mm)	2.5mm	2mm	M20
CP51	2" (51mm)	2.5mm	2mm	M20
CP75	3" (75mm)	2.5mm	2mm	1" UNF

## BRAMLEY

### Drill Drift

Model: DRIFT

- Spring-loaded drive action requires just one hand to operate. Tap, tap and the drill is safely out
- Hand-made from high strength bronze casting, complete with hammer head for other jobs





## Model: BSAW100 - 4" Bandsaw

Suitable for steel, non-ferrous, plastics, wood etc:

- Full aluminium construction for easy, portable use
- Only 20kg weight for easy & practical transport
- Strong and sturdy enough for stable work, but small enough to fit in car or ute
- Electronic infinitely variable speed
- Solid and stable base.
- From 0° to 45° adjustable cutting angle
- No cutting lubrication required



Model	BSAW100
Motor	1.5kW DC
Blade Size (mm)	1140 x 13 x 0.65
Blade Speed (m/min)	20 - 70
Vice Tilt	0° - 60°
Cutting Capacity at 90°	● 100mm ■ 100 x 105mm
Cutting Capacity at 45°	● 55mm ■ 55 x 60mm
Carton Dimensions (mm)	550 x 370 x 400
Weight (kg) - Nett / Gross	20 / 21



## Model: BS712 - 7" Bandsaw

## Model: BS8SW - 8" Bandsaw

- Automatic down feed stop
- Quick release vice and swivel cutting head from -45° to +45° (BS8SW)
- All ball-bearing blade guides
- All cast-iron frame and bed
- Hydraulic down feed control with infinitely variable adjustment
- Wheels allow easy movement around the workshop
- 3-speed belt drive allows machine to handle a wide range of materials



Model: BS712  
(Fixed Bow)



Model: BS8SW  
(Swivel Bow)

Model	BS712	BS8SW
Motor	750W	1.1kW
Blade Size (mm)	2360 x 20 x 0.9	2360 x 20 x 0.9
Blade Speed (m/min)	34, 41, 59, 98	24, 41, 61, 82
Bow Swivel	-	-45° - +45°
Cutting Capacity at 90°	● 180mm ■ 180 x 300mm	● 205mm ■ 205 x 215mm
Cutting Capacity at 45°	● 110mm ■ 110 x 180mm	● 143mm ■ 143 x 115mm
Carton Dimensions	1260 x 460 x 1080	1230 x 650 x 820 (body) 575 x 545 x 260 (stand)
Weight (kg) - Nett / Gross	145 / 175	190 / 227

**GARRICK**  
MACHINE TOOLS

## Model: BS260 - 9" Bandsaw

- Can replace the function of traditional cold-cut saws, but with greater capacity
- Adjustable hydraulic cylinder for automatic feed option
- Swivel head can mitre cut to 60°
- Includes blade cleaning wire wheel
- Ball bearing blade guides
- 27mm wide blade minimises run-out for more accurate cutting
- Supplied on Machine Stand with integrated coolant system



Model	BS260
Motor	1.1kW
Blade Size (mm)	2460 x 27 x 0.9
Blade Speed (m/min)	72
Vice Tilt	0° - 60°
Cutting Capacity at 90°	<ul style="list-style-type: none"> <li>● 220mm</li> <li>■ 220 x 220mm</li> <li>■ 260 x 110mm</li> </ul>
Cutting Capacity at 45°	<ul style="list-style-type: none"> <li>● 150mm</li> <li>■ 145 x 145mm</li> </ul>
Cutting Capacity at 60°	<ul style="list-style-type: none"> <li>● 90mm</li> <li>■ 85 x 85mm</li> </ul>
Carton Dimensions (mm)	1450 x 570 x 1040 (body) 830 x 780 x 170 (stand)
Weight (kg) - Nett / Gross	220 / 264

**GARRICK**  
MACHINE TOOLS

## Heavy-duty Industrial Roller Stands

Model: RS-FLAT

Model: RS-V

- RS-Flat suitable for Bandsaws, etc roller length 300mm
- RS-V suitable for Threading Machines, Pipe and Rod, etc



Model	Roller Ø mm	Nett / Gross Weight kg	Operating Height	Max Capacity kg	Measurements mm
RS-Flat	52	15.1 / 16.1	580 - 970	800	530 x 515 x 95
RS-V	52	15.6 / 16.6	580 - 970	800	530 x 515 x 95

**GARRICK**  
MACHINE TOOLS

## Replacement Bandsaw Blades



Model	Bandsaw Model
BSAW100-BLADE	Bandsaw Blade to suit GARRICK BSAW100 Bandsaw
BS150W-BLADE	Bandsaw Blade to suit GARRICK BS150SW Bandsaw
BS712-BLADE	Bandsaw Blade to suit GARRICK BS712 Bandsaw
BS8SW-BLADE	Bandsaw Blade to suit GARRICK BS8SW Bandsaw
BS260-BLADE	Bandsaw Blade to suit GARRICK BS260 Bandsaw
BS350-BLADE	Bandsaw Blade to suit GARRICK BS350 Bandsaw

**GARRICK**  
MACHINE TOOLS

## Heavy-duty Conveyor Roller Tables

Model: RT60-4 (1 metre)

Model: RT60-7 (2 metre)

- Ideal for use with Bandsaws, Cold Saws etc or any other application in general workshop use where a substantial roller table is required
- Available in lengths of 1m or 2m
- They can be joined together with the included Joiner Pack to make up any length needed
- Robust clamping system for leg height adjustment
- Fine adjustment facility on feet for easy levelling



Model	RT60-4	RT60-7
Length (m)	1 metre	2 metre
Roller - dia x width (mm)	60 x 360	60 x 360
Operating Height (mm)	580 - 1030	580 - 1030
Max. Capacity Per Table (kg)	400	400
Weight Nett / Gross (kg)	40 / 42	63 / 67
Carton Dimensions (mm)	1030 x 475 x 190	2030 x 475 x 210



## Asada

### Reciprocating Pipe Saw

Model: PS200SP

- Powerful 1500W (2HP) electric motor
- Cuts up to 8" (200mm) N.B. Pipe



- Variable speed switch (700 - 2,060 spm) permits cutting of wide range of materials including stainless steel
- Double insulated motor and electrical overload protection
- Greater safety with slow speed start function
- Lightweight - at only 3.9 kg makes it suitable for on-site, high or overhead jobs
- Supplied complete with chain vice & spare blades in sturdy carry case

Model	PS200SP
Motor	1300W
Cutting Capacity (mm)	50 - 200mm steel pipe 50 - 150mm stainless pipe
Weight (kg)	3.9



## Asada

### Spare Blades to Suit Reciprocating Pipe Saw

- HSS Thick Blades

Model	Size
SP61210	140MM x 8T
SP61305	200MM x 8T
SP61327	200MM x 6/8T
SP61337	290MM x 6/8T
SP61471	320MM x 6/8T



Scan for Video





## Industrial Drill Presses

Model: DB20

Model: DP20

Model: DP25

Model: DP32

- Square tables for larger work area, with 'T' slots for solid clamping
- Tables tilt and rotate
- Solid one piece Cast Iron operating handles
- Safety Guard with flip up cover over chuck as standard
- Emergency stop switches
- Heavy-duty precision depth stops
- Quick action, positive motor adjustment for belt tensing
- Rack & pinion table height adjustment
- Column & Quill precision machined from thick wall tube for rigidity
- Work light under head (bulb not included for transport reasons)
- Powerful 240V Aluminium TEFC motors
- Includes Drill Chuck & Arbor, Chuck Key and Drill Drift

Manufactured to a premium quality standard to suit heavy-duty applications

Model	DB20	DP20	DP25	DP32
Type	Bench	Pedestal	Pedestal	Pedestal
Motor	550W	550W	750W	1100W
Max Drilling Capacity	20mm	20mm	25mm	32mm
Chuck Size (mm)	3 - 16	3 - 16	3 - 16	3 - 16
Swing (mm)	356	356	432	508
Spindle Taper	MT2	MT2	MT3	MT4
Spindle Travel (mm)	80	80	80	120
No. of Speeds	12	12	12	12
Speed Range (rpm)	120 - 2580	120 - 2580	120 - 2580	150 - 2700
Overall Height (mm)	1000	1600	1650	1710
Column Diameter (mm)	80	80	80	92
Quill Diameter	52	52	52	72
Table Dimensions (mm)	290 x 290	290 x 290	345 x 345	475 x 425
Carton Dimensions	840 x 570 x 290	1440 x 570 x 290	1440 x 650 x 320	1475 x 650 x 350
Weight (kg) - Nett / Gross	82 / 86	82 / 86	108 / 117	143 / 153



Model DB20



Model DP20



Model DP25



Model DP32

# Steel Cutting

**BRAMLEY**



## Drill Drift

Model: DRIFT

- Spring-loaded drive action requires just one hand to operate. Tap, tap and the drill is safely out
- Hand-made from high strength bronze casting, complete with hammer head for other jobs



## Multi-purpose Drill & Knife Sharpener

Model: DS-JS950M

- Drill bits sharpening - 3 - 13mm
- Drill bit angle fixation
- Drill bit adaptor
- Dust collection
- Knife sharpening
- Hatchet sharpening
- Scissor sharpening

Scan for Video







Bench Grinders



Scan for Video



We can help with in-store merchandising of GARRICK HERBERT products, either with our standard merchandisers or to suit your in-store layout.

We can also create standard or custom banners to suit your promotional needs.



Belt Grinding Machines



Scan for Video







## Utility Bench Grinder

Model: BG8-UT - 200mm

Suitable for light commercial / DIY use.

- 8" (200mm)
- 0.5 HP (375 W)
- 2850 rpm
- 240V / 2.6 A single phase
- Eye shields
- Optional accessory: Linishall Pedestal Stand  
Model: BGSHEET refer page 18



## Heavy-duty Bench Grinders

Model: BG6 - 150mm

Model: BG8 - 200mm

Model: BG10 - 250mm

The Linishall Heavy-duty Industrial Bench Grinder is the first choice for all applications where reliability, long-life and usability are important. Unique adjustable eyeshields with magnifying glass on (6" & 8") assist in safe, accurate finishing or roughing of all types of componentry, tooling, etc. Optional additions include a pedestal stand, belt and disc grinding attachment and a mitre table.

- All models include as standard a safety E-stop emergency switch
- Wheel dresser
- Adjustable oval eyeshields with magnifying glass on (6" & 8")
- Adjustable square eyeshields on 10"
- Cast metal tool rests
- Adjustable work light
- Pre-loaded bearings (no end play)
- 2850 rpm
- Heavy sheetmetal wheel guards
- Model BG8 now has wider guards to accept 1" (25mm) wide wire wheels



Model: BG6



Fully featured Linishall Grinder with Belt & Disc Grinding Attachment, Pedestal and Mitre Table.



Model: BG8



Model: BG10

MODEL	Grinding Wheel Dia.	Motor	Shaft Dia. (Wheel Bore)	Thread (Nut)
BG6	150mm (6")	450W (0.6HP)	12.7mm (1/2")	M12 x 1.75
BG8	200mm (8")	750W (1.0HP)	16mm (5/8")	M16 x 2.0
BG10	250mm (10")	900W (1.2HP)	19.5mm (3/4")	M18 x 2.5

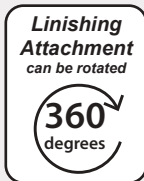


## Combination Wheel & Belt Grinders

- Supplied fully assembled & pre-tracked
- Can be fitted on Pedestal for a complete package

### Model: BG8/915

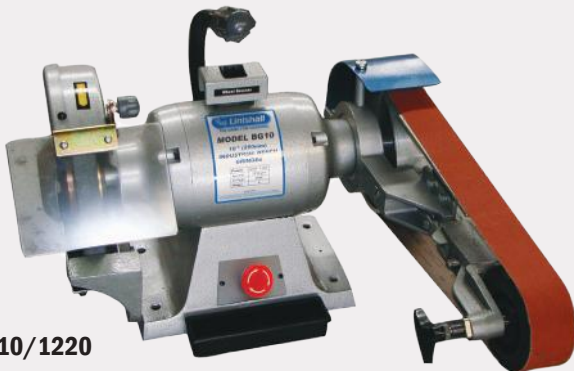
- Model BG8/915 consists of a 915 Belt & Disc Grinding Attachment fitted to the Linishall 8" (200mm) Heavy Duty Bench Grinder



Model: BG8/915

### Model BG10/1220

- Model BG10/1220 consists of a 1220 Belt Grinding Attachment fitted to the Linishall 10" (250mm) Heavy Duty Bench Grinder



Model: BG10/1220

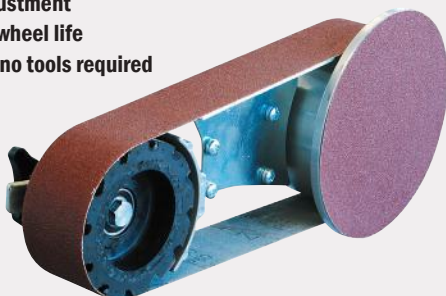


## Belt & Disc Grinding Attachment

### Model: 915

supplied in clear blister packaging with full installation instructions.

- Fits easily to most 150mm (6") or 200mm (8") bench grinders
- Belt size: 915 mm x 50 mm (36"x2")
- Disc size: 178 mm (7")
- Rugged cast metal construction
- Simple assembly & adjustment
- Longer rubber contact wheel life
- Easy belt tracking with no tools required



## Mitre Table

### Model: 915TABLE

Designed to fit the Model 915 Belt & Disc Grinding Attachment.

- Side tilting for stable grinding against disc.



## Bench Grinder Stand

### Pedestal

#### Model: BGSHEET

Suitable for mounting Linishall, and most other brand 6", 8" or 10" Bench Grinders

- Sheetmetal construction
- 800mm high



## Polisher

### Model: BG8BUFF

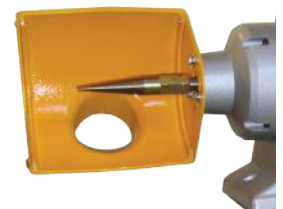
BG8 grinder fitted with Buff Guards & taper spindles to take calico mops or similar to create a polishing machine.



## Buff or Polishing Guard

### Model BG8-BUFFGUARD

- Suits most 200mm (8") Grinders
- Fits either RH or LH side
- Includes Dust extraction port (Does not include taper spindle shown)





## Belt Grinding Attachments

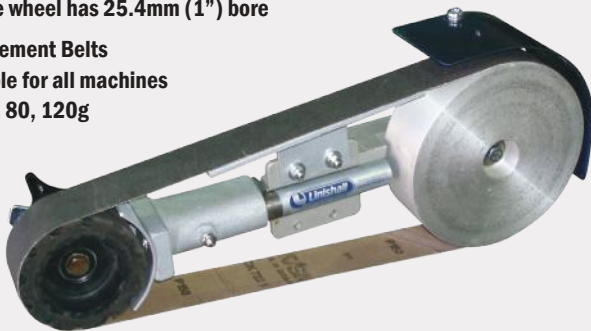
Model: 1220/50

Model: 1520/50

Model: 1520/100

- Attaches to an electric motor (preferred) or some bench grinders
- Performance is directly related to motor power - Minimum 750 W (1 HP) recommended
- 3 common belt sizes
- Longer Rubber Contact Wheel life with air grooves for cooling
- Easy belt tracking with no tools required
- Drive wheel has 25.4mm (1") bore

Replacement Belts available for all machines  
40, 60, 80, 120g



Model	Belt Size	Contact Wheel	Drive Wheel
1220/50	1220mm x 50mm	100mm x 50 mm	175mm x 50mm
1520/50	1520mm x 50mm	100mm x 50 mm	175mm x 50mm
1520/100	1520mm x 100mm	100mm x 100 mm	175mm x 100mm



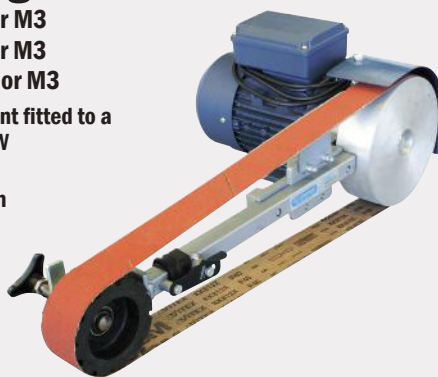
## Bench-mounted Belt Grinding Machines

Model: 1220/50/M1 or M3

Model: 1520/50/M1 or M3

Model: 1520/100/M1 or M3

- Belt Grinding Attachment fitted to a continuous rated 1.1 kW (1.5 HP) TEFC Motor
- Single or 3 Phase option as indicated by model number



Model	Belt Size	Motor
1220/50/M1	1220mm x 50mm	1 Ph ~ 240V
1220/50/M3	1220mm x 50mm	3 Ph ~ 415V
1520/50/M1	1520mm x 50mm	1 Ph ~ 240V
1520/50/M3	1520mm x 50mm	3 Ph ~ 415V
1520/100/M1	1520mm x 100mm	1 Ph ~ 240V
1520/100/M3	1520mm x 100mm	3 Ph ~ 415V



## Pedestal-mounted Belt Grinding Machines

Model: 1220/50/P1 or P3

Model: 1520/50/P1 or P3

Model: 1520/100/P1 or P3

- Belt Grinding Attachment fitted to a continuous rated 1.1 kW (1.5 HP) TEFC Motor and mounted on a pedestal to form a free standing machine
- All pedestal units have IP65 rated switchgear fitted which includes thermal overload and no-volt release
- Single or 3 Phase option as indicated by model number.



Model	Belt Size	Motor
1220/50/P1	1220mm x 50mm	1 Ph ~ 240V
1220/50/P3	1220mm x 50mm	3 Ph ~ 415V
1520/50/P1	1520mm x 50mm	1 Ph ~ 240V
1520/50/P3	1520mm x 50mm	3 Ph ~ 415V
1520/100/P1	1520mm x 100mm	1 Ph ~ 240V
1520/100/P3	1520mm x 100mm	3 Ph ~ 415V



## Heavy-duty Linishers

Model: 1220/100/P1

Model: 2000/75/P1 or P3

Model: 2000/150/P3

Model: 2000/220/P3

- Fully guarded with hinged flap on top for platen finishing
- Front dust chute • Rear dust extractor port • Front eye guard
- Tool rests • Adjustable (by swivelling about pivot point) for height
- Simple tracking & belt change
- 1 or 3 Phase options as indicated by model number
- 4 belt sizes: 1220 x 100mm, 2000 x 75 mm, 2000 x 150mm, 2000 x 220 mm

Replacement Belts available for all machines  
40, 60, 80, 120g



Model: 2000/150/P3

Model	Belt Size	Motor
1220/100/P1	1220mm x 100mm	1.5kW (2HP)
2000/75/P1	2000mm x 75mm	3.0kW (4HP) ~ 1Ph
2000/75/P3	2000mm x 75mm	3.0kW (4HP) ~ 3Ph
2000/150/P3	2000mm x 150mm	4.0kW (5HP) ~ 3Ph
2000/220/P3	2000mm x 220mm	4.0kW (5HP) ~ 3Ph





## Grinding Wheels

In medium & fine grits.

To suit bench grinders:

- **BG8-GW** 200mm (8")
- **BG10-GW** 250mm (10")



Model	Wheel Size	Bore Size
BG8-GW	200mm (8")	5/8"
BG10-GW	250mm (10")	1.1/4"



## Wire Wheels

To suit bench grinders:

- **WW6** 150mm (6")
- **WW8** 200mm (8")
- **WW10** 250mm (10")
- Includes multi bore bushes



Model	Wheel Size	Bore Size	c/w reducing bushes
WW6	150mm (6")	32mm	Y
WW8	200mm (8")	32mm	Y
WW10	250mm (10")	32mm	Y



## Tapered Spindles

To take polishing & buffing mops. Models for:

- **BG8 Grinder** (M16 thread)
- **BG10 Grinder** (M18 thread)
- **Other Grinders** (M20 thread)
- **Left Hand & Right Hand Models**



Model	Grinder Model	Thread Size	Length
BG8-LHTS or BG8-RHTS	BG8	M16	130mm
BG10-LHTS or BG10-RHTS	BG10	M18	140mm
M20-LHTS or M20-RHTS	Others	M20	140mm



## Abrasive Discs

Suits Linishall 915 Belt & Disc Grinding Attachment and other brands.

- **178mm (7") diameter**
- **Pack of 10 - 60, 80 or 120G and Mixed Grit**
- **Stick on or "Hook & Loop" types**
- **"Hook & Loop" conversion disc available**



Abrasive Discs - Self Adhesive	
D-PSA-60G	180mm - PSA - 60G - pack/10
D-PSA-80G	180mm - PSA - 80G - pack/10
D-PSA-120G	180mm - PSA - 120G - pack/10
D-PSA-MIXED	180mm - PSA - Mixed Grit - pack/10



## Hook & Loop Conversion Disc

Available as Conversion Disc only, or as a Starter Pack with converter plus 5 assorted grit discs to suit



The Conversion Disc has adhesive on one side and "hooks" on the other to allow replacement of stick-on type abrasive discs with "Hook & Loop" backed ones.

- **Permits easier disc changing, particularly when using varying grits on a job**
- **Fits LINISHALL Model 915 and all other machines taking a 178mm (7") disc**

Abrasive Discs - Hook Loop	
D-H&L-60G	180mm - Hook & Loop - 60G - pack/10
D-H&L-80G	180mm - Hook & Loop - 80G - pack/10
D-H&L-120G	180mm - Hook & Loop - 120G - pack/10
D-H&L-MIXED	180mm - Hook & Loop - Mixed - pack/10
Converter Discs	
D-H&L-CONV	Converter Disc 180mm (1 x Hook Self Adhesive Disc)
D-H&L-PACK	Converter Pack 180mm (1 x Hook & Loop Disc) + 5 assorted discs, 60g, 80g & 120g





## Rubber Contact Wheels

- Grooved to create air flow for natural cooling effect



Replacement Wheel	Wheel Size diameter x width	Suits	with Spindle
RCW420	100mm x 50mm (4" x 2")	1220/50, 1520/50, 915	
RCW421	100mm x 50mm (4" x 2")	1220/50	Y
RCW421-915	100mm x 50mm (4" x 2")	915 only	Y
RCW440	100mm x 100mm (4" x 4")	1520/50	
RCW441	100mm x 100mm (4" x 4")	1520/50	Y



Replacement Wheel only	Wheel Size	Suits
RCW122/100	122mm dia x 100mm wide (5" x 4")	(Suits Linisher 1220/100)
RCW200/75	200mm dia x 75mm wide (8" x 3")	(Suits Linisher 2000/75)
RCW200/150	200mm dia x 150mm wide (8" x 6")	(Suits Linisher 2000/150)
RCW200/220	200mm dia x 220mm wide (8" x 9")	(Suits Linisher 2000/220)



## Abrasive (Linishing) Belts

To suit all Linishall, and most other Belt Grinders. Pack of 5 (PB915X50-MED, single pack)



Linishing Belts	
LB915X50-40G	915x50mm - 40G - Pack of 5pcs
LB915X50-60G	915x50mm - 60G - Pack of 5pcs
LB915X50-80G	915x50mm - 80G - Pack of 5pcs
LB915X50-120G	915x50mm - 120G - Pack of 5pcs
LB915X50-MIXED	915x50mm - Mixed Grit - Pack/5pcs
PB915X50-MED	Polishing Belt 915x50mm - Medium



## Abrasive (Linishing) Belts

To suit all Linishall, and most other Belt Grinders. Pack of 5



Sizes	915 x 50, 1220 x 50, 1220 x 100, 1520 x 50, 1520 x 100, 2000 x 75, 2000 x 150, 2000 x 220
Grits	40, 60, 80 or 120G

Linishing Belts	
LB915X50-40G	915x50mm - 40G - Pack of 5pcs
LB915X50-60G	915x50mm - 60G - Pack of 5pcs
LB915X50-80G	915x50mm - 80G - Pack of 5pcs
LB915X50-120G	915x50mm - 120G - Pack of 5pcs
LB915X50-MIXED	915x50mm - Mixed Grit - Pack/5pcs
PB915X50-MED	Polishing Belt 915x50mm - Medium
LB1220X50-40G	1220 x50mm - 40G - Pack/5
LB1220X50-60G	1220 x50mm - 60G - Pack/5
LB1220X50-80G	1220 x50mm - 80G - Pack/5
LB1220X50-120G	1220 x50mm - 120G - Pack/5
LB1220X100-40G	1220 x100mm - 40G - Pack/5
LB1220X100-60G	1220 x100mm - 60G - Pack/5
LB1220X100-80G	1220 x100mm - 80G - Pack/5
LB1220X100-120G	1220 x100mm - 120G - Pack/5
LB1520X50-60G	1520x50mm - 60G - Pack/5
LB1520X50-80G	1520x50mm - 80G - Pack/5
LB1520X100-40G	1520x100mm - 40G - Pack/5
LB1520X100-60G	1520x100mm - 60G - Pack/5
LB1520X100-80G	1520x100mm - 80G - Pack/5
LB1520X100-120G	1520x100mm - 120G - Pack/5
LB2000X75-40G	2000x75mm - 40G - Pack/5
LB2000X75-60G	2000x75mm - 60G - Pack/5
LB2000X75-80G	2000x75mm - 80G - Pack/5
LB2000X75-120G	2000x75mm - 120G - Pack/5
LB2000X150-40G	2000x150mm - 40G - Pack/5
LB2000X150-60G	2000x150mm - 60G - Pack/5
LB2000X150-80G	2000x150mm - 80G - Pack/5
LB2000X150-120G	2000x150mm - 120G - Pack/5
LB2000X220-40G	2000x220mm - 40G - Pack/5
LB2000X220-60G	2000x220mm - 60G - Pack/5
LB2000X220-80G	2000x220mm - 80G - Pack/5
LB2000X220-120G	2000x220mm - 120G - Pack/5

## Asada

### Pipe & Bolt Threading Machines

Model: B25-AT (Automatic)

Model: B50 (Manual)

Model: B50-AT (Automatic)

Model: B80-AT (Automatic)

Model: B100-AT (Automatic)

- Threading Machines designed to give accurate threads for most pipe and bolt (rod) applications
- BSPT, NPT, BSW, UNC, UNF, Conduit and Metric threads possible in such materials as stainless, high tensile, galvanised and mild steels
- Footswitch included on all machines for safety



Model: B25-AT



Model: B50-AT



Model: B80-AT



Model: B100-AT

Scan for video



Model	Standard Threading Capacity	Motor	Spindle Speed
Beaver 25 (Auto) Dies	1/4" - 1" BSPT or NPT Pipe Automatic Die-Head version AM 1/2~3/4", AM 1 ~ 1 1/2"	Universal Single Phase 350W	52rpm (No load)
Beaver 50 (Manual) Dies	1/4" - 2" BSPT or NPT Pipe Manual Die-Head version BE 1/2~3/4" • BE 1~1 1/2" (2")	Universal Single Phase 750W	40rpm (No load)
Beaver 50 (Auto) Dies	1/4" - 2" BSPT or NPT Pipe Automatic Die-Head version BE 1/2~ 3/4" • BE 1~1 1/2" (2")	Universal Single Phase 750W	40rpm (No load)
Beaver 80 (Auto) Dies	1/4" - 3" BSPT or NPT Pipe Automatic Die-Head version BE 1/2~3/4" • BE 1~1 1/2" (2"), AT 2 1/2~ 3"	Universal Single Phase 1140W	33rpm (No load)
Beaver 100 (Auto) Dies	1/4" - 4" BSPT or NPT Pipe Automatic Die-Head version BE 1/2~ 3/4" • BE 1~ 1 1/2" (2"), AT 2 1/2 ~ 4"	Universal Single Phase 1140W	48 / 18rpm (2 Speed)

**Note: all machines supplied as standard with all dies & dieheads from 1/2" BSPT up to capacity, cutter, reamer, threading oil and tubular legs.**

Dieheads and dies for 1/4" - 3/8" BSPT, NPT, Conduit and all bolt sizes are available as optional extras.

## GARRICK BEAVER 50 Trolley Cart

Model B50-FWS

- Collapsible trolley cart for mounting the ASADA B50-AT & B50 Threading Machines
- Removeable working tray for ease of use
- Portable
- Gas struts for easy raising from collapsed position
- All steel construction, powder coated
- Weight: 26kg



Trolley end view



In raised position ready for use.



In collapsed position for storage or transportation.

Pictured with Asada Beaver B50-AT and accessories (all sold separately)

See page 40 for Pressure Test Pumps.

## Asada Rod/Bolt Threading Machine

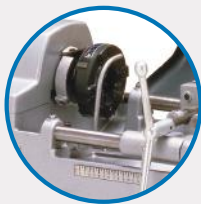


Model: BTM25

- Dedicated machine designed specifically for threading bolt and rod
- Faster spindle speed than Pipe Threading Machines
- Rod is held in vice to allow threading of long lengths or bent material
- Machine is for right hand threading only. (A separate machine for left hand threading only is available on request)



Dies available for  
Stainless or High  
Tensile Steels



Oil lubrication system  
and 4 jaw  
vice clamping

Scan for Video



Model	Standard Threading Capacity	Motor size	Spindle Speed
BTM25	8mm -24mm	1 Phase 1140W (1.5HP)	80rpm (No load)

Note: supplied as standard with M12 and M14 - M16 dies.  
(Other sizes available: M8 - M24, BSW, UNC, UNF)

## Asada Neat Threading Oil

- Model: SP-OIL-5 (Standard - 5 L)
- Model: SP-OIL-20 (Standard - 20 L)
- Model: SP-OIL-5HT (High Grade - 5 L)
- Model: SP-OIL-20HT (High Grade - 20 L)

- Essential for long die life.
- Includes ingredients to handle the high pressures generated during threading operation
- Standard grade for general purpose threading
- High grade for threading stainless and high tensile steels



5 L container



20 L container

## Asada Spare Dies

- Many sizes available: BSPT, NPT, BSPS, Conduit, BSW, Metric, UNC, UNF
- Made from special pre heat-treated steel, ensuring long life and easy threading
- Available in two grades - Alloy for general purpose threading such as black or galvanised pipe & rod and HSS for stainless steels and high tensile steels
- The life of the dies is greatly affected by the quality of cutting oil used... Asada Threading Oil is strongly recommended



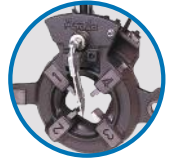
Dies to suit Asada  
Threading Machines



## Spare Die Heads

For pipe, rod and bolt threading machines in all sizes.

- BSPT, NPT, BSW, UNC, UNF, Conduit and Metric threads



Automatic Die-Head  
for Pipe Machines



Bolt Die Head for  
Pipe Machines



Bolt Die Head for  
Bolt Machine



Manual Die Head for  
Pipe Machines

Dies & Diehead Chart Page 46-47



## Nipple Chuck Set

Model: NC  
Capacity 1/2" - 2" BSPT  
Holds short nipples for threading second end

- Nipple Tightens against end face of pipe (not on the thread) for easy releasing of the nipple after threading
- Includes insert body & 5 adaptors 1/2", 3/4", 1", 1 1/4" & 1 1/2" (nipple chuck body serves as 2" adaptor), carrying handle & spanner



# Asada

## Dies & Dieheads Compatability



Automatic Die-Head  
for Pipe Machines



Manual Die Head for  
Pipe Machines



**See Chart on Pages 46-47**





## Hand Ratchet Pipe Threaders

Model: HRT100 (1/2" - 1")

Model: HRT125 (1/2" - 1.1/4")

Model: HRT200 (1/2" - 2")

For portable and easy threading in small confines.

Design of lead chamfer on dies gives easier thread starting.

- 3 size sets available
- Supplied with BSPT Dies (NPT Dies available)
- Quality HSS Dies
- Spare Dieheads & Dies available
- Dieheads & Dies interchangeable with most leading brands.
- All sets supplied in a robust carry case

Model	Die-Heads Supplied
HRT100	1/2", 3/4", 1"
HRT125	1/2, 3/4, 1, 1.1/4"
HRT200	1/2, 3/4, 1, 1.1/4, 1.1/2, 2"



Model: HRT100



Model: HRT125



Model: HRT200

Scan for Video



## Portable Power Pipe Threaders

Model: PPT2 (1/2" - 2") BSPT

- Designed for versatile power threading without a separate vice
  - Suitable for "on-site" applications
  - Supplied with die-heads 1/2", 3/4", 1", 1.1/4", 1.1/2", 2"
  - Right and left hand threads can be cut with equal ease
  - Robust carrying case
  - Spare dieheads and dies available.
  - Weight 25.5kg
  - Size: 74 x 44 x 12 cm
- Made in Taiwan



## Footswitch

Model: FS

- Fits all Asada pipe and bolt threading machines
- Hands-free threading operation
- Simple to fit



## Chain Vice

Model: CV2.5 (2.5")

Model: CV6 (6")

Quick Release Chain Vice

With lever action to tighten or release the chain.  
Easily adapts to stands and work benches.

- Forged steel jaws
- Cast iron base



Model	CAPACITY
CV2.5	2.5" (63mm)
CV6	6" (150mm)

**GARRICK**  
MACHINE TOOLS

## Roll Groover

Model: RG916

- Compact, durable and efficient lightweight roll grooving attachment
- Fits to most Threading Machines including Portable Power Threaders
- Up to 6" N.B. pipe capacity
- Easy operation with ergonomic handle to apply pressure to wheels



Scan for Video



**GARRICK**  
MACHINE TOOLS

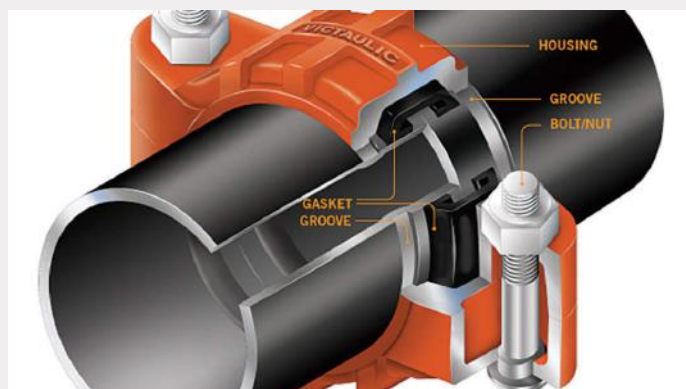
## Roll Groover Adapter & Drivebar

Model: RGAR916

To fit onto the ASADA B50 Threading Machine so the RG916 Roll Groover (above) can be used.



Roll Groovers are used to make a grooved mechanical joining of two pipes. A small groove is made at the end of each pipe with a grooving machine. A rubber gasket is fitted over the two pipe ends and around it a two-part coupling is screwed together with two bolts and nuts. It is often called a Victaulic Coupling after the inventor of the system. As opposed to threaded joints, it allows for a small amount of misalignment of the pipes or later removal of a section of piping in the middle of a run.



**GARRICK**  
MACHINE TOOLS

## Hydraulic Roll Groovers

Models: RG6C - 1.1/4" - 6"  
RG12E - 2.1/2" - 12"

- Powerful yet quiet motor
- Fine adjustment for groove depth and regulation
- Compact and very stable machine design
- Includes: Pipe Roller V stand as pictured



Model	Grooving Capacity	Electric Motor	Dimensions (mm)
RG6C	Sch10 1.1/4"-6", Sch40 1.1/4"-3"	550W 24 rpm	630 x 40 x 630
RG12E	Sch10 2.1/2"-12", Sch40 2.1/2"-8"	750W 24 rpm	630 x 40 x 630

Scan for Video



**GARRICK**  
MACHINE TOOLS

## Power Drive

Model: PD

- Use as a power source in conjunction with RG916 & RG12A Roll Grooving attachments.
- Single-phase 1500w (2HP) universal electric motor - 38 rpm
- Includes sturdy tripod & footswitch



## Asada

### Roll Groover

Model: GR641

Fits directly on to Asada

Model B50 Threading Machine

- Grooves up to 6" (150mm) N.B Sch. 40 pipe
- Standard unit supplied with roller/shaft set to suit 2" - 6" pipe
- Optional roller shaft set for 1" - 1 1/2" pipe.



Scan for Video



**GARRICK**  
MACHINE TOOLS

### Roll Grooving Attachment

Model: RG12A

- Fits on GARRICK Power Drive (Model PD), or other brands
- Powerful unit with 10 ton hydraulic ram
- Grooving Capacity:  
Sch10 2"-12"  
Sch40 2"-8"



Shown fitted to a PD  
GARRICK Power Drive.

**GARRICK**  
MACHINE TOOLS

### Pipe Stand

Model: RS-V

For supporting material that is being worked on, especially long lengths.



Model	Roller Ø mm	Nett / Gross Weight kg	Operating Height	Max Capacity kg
RS-V	52	15.6 / 16.6	580 - 970	800

**GARRICK**  
MACHINE TOOLS

### Portable Work Stand

Model: TSCV

- Includes chain pipe vice up to 6" (150mm) N.B pipe capacity
- Collapsible workbench in aluminium
- Can be used with any kind of pipe
- Includes tray fold in for easy carrying and setup
- Includes slots for hanging tools



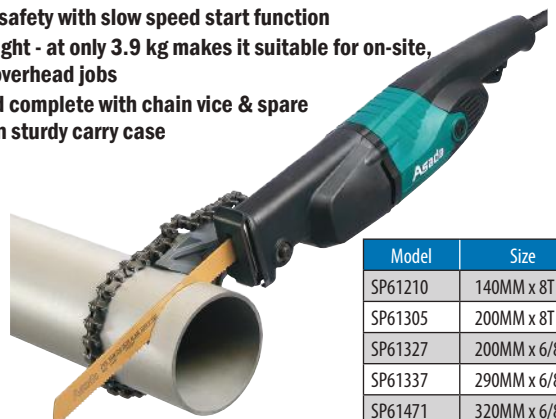
## Asada

### Reciprocating Pipe Saw

Model: PS200SP

- Powerful 1500W (2HP) electric motor
- Cuts up to 8" (200mm) N.B. Pipe
- Variable speed switch (700 - 2,060 spm) permits cutting of wide range of materials including stainless steel
- Double insulated motor and electrical overload protection
- Greater safety with slow speed start function
- Lightweight - at only 3.9 kg makes it suitable for on-site, high or overhead jobs
- Supplied complete with chain vice & spare blades in sturdy carry case

Scan for Video



Model	Size
SP61210	140MM x 8T
SP61305	200MM x 8T
SP61327	200MM x 6/8T
SP61337	290MM x 6/8T
SP61471	320MM x 6/8T

### Spare Blades Available

- HSS Thick Blades







## Round Webbing Slings

- Round Slings manufactured to A.S. 4497.1 - 1997 - Safety Factor 7:1
- WLL (Working Load Limit) is clearly marked on each sling
- Each sling is colour coded to WLL for safety
- Test Certificate supplied with every sling



Round Slings		
WLL	Length	Model
1,000 kg	0.5m	GRS1T0.5M
	1m	GRS1T1M
	1.5m	GRS1T1.5M
	2m	GRS1T2M
	2.5m	GRS1T2.5M
	3m	GRS1T3M
	3.5m	GRS1T3.5M
2,000 kg	4m	GRS1T4M
	5m	GRS1T5M
	6m	GRS1T6M
	0.5m	GRS2T0.5M
	1m	GRS2T1M
	1.5m	GRS2T1.5M
	2m	GRS2T2M
3,000 kg	2.5m	GRS2T2.5M
	3m	GRS2T3M
	4m	GRS2T4M
	5m	GRS2T5M
	6m	GRS2T6M
	1m	GRS3T1M
	1.5m	GRS3T1.5M
4,000 kg	2m	GRS3T2M
	2.5m	GRS3T2.5M
	3m	GRS3T3M
	4m	GRS3T4M
	5m	GRS3T5M
	6m	GRS3T6M

Pricing & details on other sizes of slings available on request

Round Slings			
WLL	Length	Model	
4,000 kg	1m	GRS4T1M	
	1.5m	GRS4T1.5M	
	2m	GRS4T2M	
	2.5m	GRS4T2.5M	
	3m	GRS4T3M	
	4m	GRS4T4M	
	5m	GRS4T5M	
5,000 kg	6m	GRS4T6M	
	1m	GRS5T1M	
	1.5m	GRS5T1.5M	
	2m	GRS5T2M	
	2.5m	GRS5T2.5M	
	3m	GRS5T3M	
	4m	GRS5T4M	
6,000 kg	5m	GRS5T5M	
	6m	GRS5T6M	
	3m	GRS6T3M	
	4m	GRS6T4M	
	6m	GRS6T6M	
	8,000 kg	4m	GRS8T4M
	6m	GRS8T6M	
10,000 kg	4m	GRS10T4M	
	6m	GRS10T6M	
	8m	GRS10T8M	
	10m	GRS10T10M	

Scan for Video







## Flat Webbing Slings

- Flat Slings manufactured to A.S. 1353 Parts 1&2 1990 - Safety Factor 8:1
- WLL (Working Load Limit) is clearly marked on each sling
- Each sling is colour coded to WLL for safety
- Test Certificate supplied with every sling



We are constantly adding to our range of Round and Flat Sling sizes in accordance with demand. The tables show sizes at time of printing

Flat Slings		
WLL	Length	Model
1,000 kg	1m	GFS1T1M
	2m	GFS1T2M
	3m	GFS1T3M
	4m	GFS1T4M
	5m	GFS1T5M
	6m	GFS1T6M
2,000 kg	1m	GFS2T1M
	2m	GFS2T2M
	3m	GFS2T3M
	4m	GFS2T4M
	5m	GFS2T5M
	6m	GFS2T6M
3,000 kg	1m	GFS3T1M
	2m	GFS3T2M
	3m	GFS3T3M
	4m	GFS3T4M
	5m	GFS3T5M
	6m	GFS3T6M

Flat Slings		
WLL	Length	Model
4,000 kg	2m	GFS4T2M
	3m	GFS4T3M
	4m	GFS4T4M
	5m	GFS4T5M
	6m	GFS4T6M
	5,000 kg	2m
3m		GFS5T3M
4m		GFS5T4M
5m		GFS5T5M
6m		GFS5T6M
8m		GFS5T8M

Scan for Video



## Heavy-duty Ratchet Tie Downs

- Heavy duty Ratchet Tie Down assemblies for securing loads safely with minimum effort
- Complete with straps hooks and keepers
- Comply with AS/NZS 4380.2001
- Sizes:
  - 0.75T - 25mm x 5 metre (Model: GRTD25-0.75T)
  - 1.5T - 35mm x 6 metre (Model: GRTD35-1.5T)
  - 2.5T - 50mm x 9 metre (Model: GRTD50-2.5T)





## Mini Chain Block

A compact & lightweight chain block for confined spaces or where the lighter weight is a consideration for carrying the unit to the job (e.g. rigging or mines)

- Industrial quality - complies with AS / NZS 1418.2 (Meets or exceeds all relevant world standards)
- Super strength alloy load chain
- All hooks fitted with spring safety latch
- Test Certificate & Instruction Manual supplied with every Chain Block
- Compact - minimum headroom (hook to hook = 230mm)
- Lightweight robust construction - only 3.5 kg



Model	Size	Lift
GCB0022	0.25T	2 m



## Mini Lever Hoists

Compact & lightweight Lever Hoists for confined spaces or where the lighter weight is a consideration for carrying the unit to the job (e.g. rigging or mines)

- Industrial quality - complies with AS / NZS 1418.2 (Meets or exceeds all relevant world standards)
- Super strength alloy load chain
- All hooks fitted with spring safety latch
- Test Certificate & Instruction Manual supplied with every Lever Hoist
- Compact - minimum headroom (hook to hook)
- Lightweight robust construction - from only 2 kg



Model	Capacity	Lift	Headroom	Weight
GLH025	0.25T	1.5 m	215 mm	2 kg
GLH050	0.5T	1.5 m	255 mm	3.5 kg

**Need a different chain length?**  
We can re-chain any block or hoist to almost any length of lift required



## GARRICK Chain Blocks - Load Limited

**With the added safety of overload protection**

Models from 0.5 T to 10 T ex. stock (larger sizes available ex. factory)

- Overload Protection facility is factory set to prevent abuse, damage or unsafe practice
- Robust all steel construction
- Super strength alloy steel chain
- All hooks fitted with spring safety latch
- Durable stainless steel labels
- Test Certificate and Instruction Manual supplied with every Chain Block
- Comply with AS/NZS1418.2 (Meets or exceeds all relevant world standards)



Model	Size	Lift
GCBLL0053	0.5T	3m
GCBLL0056	0.5T	6m
GCBLL0103	1T	3m
GCBLL0106	1T	6m
GCBLL0203	2T	3m
GCBLL0206	2T	6m
GCBLL0303	3T	3m
GCBLL0306	3T	6m
GCBLL0503	5T	3m
GCBLL0506	5T	6m
GCBLL1006	10T	6m



## GARRICK Lever Hoists - Load Limited

**With the added safety of overload protection**

Models from 0.75 T to 6 T ex. stock (larger sizes available ex. factory)

- Overload Protection facility is factory set to prevent abuse, damage or unsafe practice
- Robust all steel construction
- Super strength alloy load chain
- All hooks fitted with spring safety latch
- Durable stainless steel labels
- Test Certificate & Instruction Manual supplied with every Lever Hoist
- Industrial quality - complies with AS / NZS 1418.2 (Meets or exceeds all relevant world standards)



Model	Size	Lift
GLHLL075	0.75T	1.5 m
GLHLL150	1.5T	1.5 m
GLHLL300	3T	1.5 m
GLHLL600	6T	1.5 m



## TOHO Industrial Chain Blocks

Models from 0.5T to 10T ex stock  
(larger sizes available ex factory)

- Standard blocks without overload protection manufactured to exacting industrial standards
- Robust all steel construction
- Super strength alloy load chain
- All hooks fitted with spring safety latch
- Test Certificate & Instruction Manual supplied with every Chain Block
- Industrial quality - complies with AS / NZS 1418.2  
(Meets or exceeds all relevant world standards)



Model	Size	Lift
TCB0053	0.5T	3m
TCB0056	0.5T	6m
TCB0103	1T	3m
TCB0106	1T	6m
TCB0203	2T	3m
TCB0206	2T	6m
TCB0303	3T	3m
TCB0306	3T	6m
TCB0503	5T	3m
TCB0506	5T	6m
TCB1006	10T	6m



## TOHO Industrial Lever Hoists

Models from 0.75T to 9T ex stock

- Standard hoists without overload protection manufactured to exacting industrial standards
- Robust all steel construction
- Super strength alloy load chain
- All hooks fitted with spring safety latch
- Test Certificate & Instruction Manual supplied with every Lever Hoist
- Industrial quality - complies with AS / NZS 1418.2  
(Meets or exceeds all relevant world standards)



Model	Size	Lift
TLH075	0.75T	1.5m
TLH150	1.5T	1.5m
TLH300	3T	1.5m
TLH600	6T	1.5m
TLH900	9T	1.5m



## Girder Trolleys

Models from 1 T to 10 T

- Robust all steel construction
- Adjustable to various beam widths
- Durable stainless steel labels
- Test Certificate and Instruction Manual supplied with every Trolley
- Comply with AS/NZS 4991
- Meet or exceed other International Standards such as GS, CE & ANSI



Push type

Model	Size	Style	Beam
GPT005	0.5T	Push	64-152mm
GPT010	1T	Push	64-210mm
GPT020	2T	Push	88-210mm
GPT030	3T	Push	102-210mm
GPT050	5T	Push	114-210mm



Geared type

Model	Size	Style	Beam
GGT010	1T	Geared	64-210mm
GGT020	2T	Geared	88-210mm
GGT030	3T	Geared	102-210mm
GGT050	5T	Geared	114-210mm
GGT100	10T	Geared	125-210mm



## Girder Clamps

Models from 1 T to 10 T

- Robust all steel construction
- Durable stainless steel labels
- Test Certificate and Instruction Manual supplied with every Clamp
- Comply with AS/NZS 1418.2
- Meet or exceed other International Standards such as GS, CE & ANSI



Model	Size	Beam
GGC010	1T	75-230mm
GGC020	2T	75-230mm
GGC030	3T	80-320mm
GGC050	5T	90-320mm
GGC100	10T	90-320mm

## Universal Plate Clamps

Models from 0.8 T to 5 T

- Robust all steel construction
- Durable stainless steel labels
- Test Certificate and Instruction Manual supplied with every Clamp
- Comply with AS/NZS 1418.2
- Meet or exceed other International Standards such as GS, CE & ANSI



Model	Size	Opening
GVC008	0.8T	0 - 15mm
GVC016	1.6T	0 - 20mm
GVC020	2.0T	0 - 25mm
GVC032	3.2T	0 - 30mm
GVC050	5.0T	0 - 50mm

Articulated knuckle on eye permits plate to be laid flat





## Electric Chain Hoists

### Single Phase

Models: TECH0103 - 1 ton x 3m  
 TECH0106 - 1 ton x 6m  
 TECH0203 - 2 ton x 3m  
 TECH0206 - 2 ton x 6m

### 3-Phase

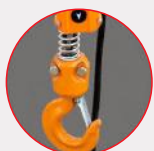
Models: TECH-3PH-2SP-0103 - 1 ton x 3m  
 TECH-3PH-2SP-0106 - 1 ton x 6m

#### Other lengths available

- Load Limited
- Thermal Prevention
- Light weight, compact design with high efficiency motor
- Pressed steel structure, high strength body
- High tensile alloy steel top & bottom hooks
- Grade 80 - 7.1mm Alloy Steel load chain
- Limit switches fitted at top and bottom ends to prevent chain runout
- 240V, 50Hz Single speed Motor 1200 Watts. (Single Phase)
- 415V, 50Hz Dual speed Motor 1200 Watts. (3 Phase)
- Complies with ASNZS 1418.2 standard

Hoists can be re-chained to your required length (limits apply)

Japanese Technology  
 Load limited  
 Thermal overload prevention  
 Emergency Stop button



Scan for Video



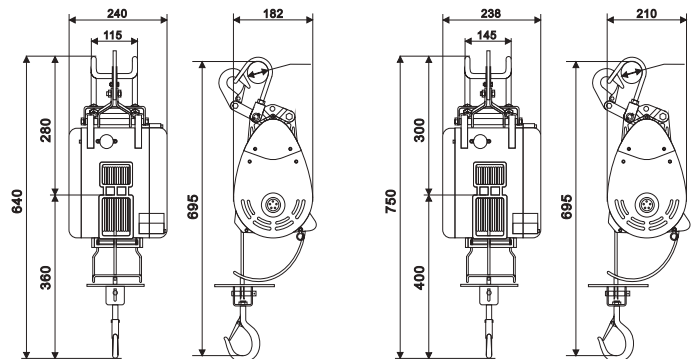
## Toho Compact Wire Rope Builders Hoist

Specifically designed to hang from scaffold tubing to lift materials to and from different levels on a building site. Available in 250kg, 360kg & 500kg models. Top hook assembly is suitable size to fit standard 48.3mm dia. scaffolding pipe



7mtr pendant length

- 30 mtr lift
- auto stop feature
- heavy duty construction
- scaffolding safety latch
- 240 volt 3 pin plug power supply
- Complies with ASNZS 1418.7 standard



THB250

THB360 & THB500



Model	Rated Capacity	Motor	Duty Cycle	Rope Dia	Lifting Speed	Power Supply	Insulation Class	Weight (Kg)	Lift (Mtr)
TBH250	250	1500W	25%	5mm	19m/min	220-240V	F	22	30
TBH360	360	1600W	25%	5mm	13m/min	220-240V	F	26	30
TBH500	500	1600W	25%	6mm	13m/min	220-240V	F	30	30





## Vertical Drum Clamp

Model: GDCV

The Garrick Drum Clamp has been designed to lift and transport steel drums in the vertical position. One clamp can be used to lift drums with or without their lids by gripping the rim of the drum.

- Its light weight and small overall design makes it ideal for picking up drums that sit tightly on pallets.
- The centre of gravity of the drum is below the lifting point during transportation.
- Comply with AS/NZS 1418.2



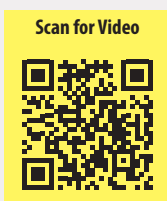
## Universal Chain & Clamp Drum Lifter

Model: GDLC

For easy lifting and tilting of 205 L drums.

- Alloy steel chain
- High grade hooks
- Built to industrial standards
- Comply with AS/NZS 1418.2

Capacity (t)	Chain Size (mm)	Length of lift chain (mm)	Net weight (kg)
1000	6x18	500	3.6



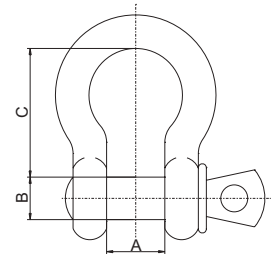
## Grade S Shackles

### Yellow Screw Pin - Dee and Bow types

- Compliant to meet Industrial Standards
- The most common shackles used in lifting applications, with a high strength to size ratio.
- Easy and effective way of providing a connection of slings, chains and wire ropes.
- Supplied in a galvanised finish with yellow painted pin.
- Suitable applications: Marine, agricultural, towing, & general industrial.

#### Bow Shackles Grade S 0.5T - 25T

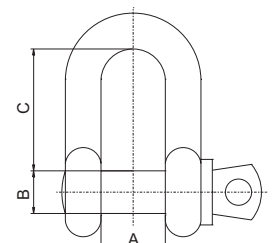
Model	Body Dia. (mm)	W.L.L. (T)	Dimension (mm)		
			A	B	C
GSSB06-0.5T	6	0.5	12	8	25
GSSB08-0.75T	8	0.75	13	10	27
GSSB10-1.0T	10	1	17	11	33
GSSB11-1.5T	11	1.5	18	13	38
GSSB13-2.0T	13	2	21	16	42
GSSB16-3.2T	16	3.2	27	19	52
GSSB19-4.7T	19	4.7	32	22	61
GSSB22-6.5T	22	6.5	37	25	73
GSSB25-8.5T	25	8.5	43	29	82
GSSB29-9.5T	29	9.5	46	32	92
GSSB32-12T	32	12	52	35	101
GSSB35-13T	35	13	57	38	113
GSSB38-17T	38	17	60	41	123
GSSB44-25T	44	25	73	51	147



A	Throat Opening
B	Pin Diameter
C	Throat Depth

#### Dee Shackles Grade S 0.5T - 6.5T

Model	Body Dia. (mm)	W.L.L. (T)	Dimension (mm)		
			A	B	C
GSSD06-0.5T	6	0.5	12	8	25
GSSD08-0.75T	8	0.75	13	10	27
GSSD10-1.0T	10	1	17	11	33
GSSD11-1.5T	11	1.5	18	13	38
GSSD13-2.0T	13	2	21	16	42
GSSD16-3.2T	16	3.2	27	19	52
GSSD19-4.7T	19	4.7	32	22	61
GSSD22-6.5T	22	6.5	37	25	73



## GARRICK

### Load Skates

Suitable for moving heavy equipment over short distances



### Load Skate Kit

Model: GLS-20T-KIT  
Capacity 20 T

- 4pcs roller skates
- 2pcs turntables
- 2pcs packing plates
- 2pcs steering handles
- 2pcs link-up bar
- 1pc draw bar
- 1pc metal box with castors
- Safe and easy to use
- When used with steering handle gives precise control
- Kits come in its own storage container on wheels
- Spare components available

Model	Capacity (Tonne)	Length Support (mm)	Width Support (mm)	Total Height (mm)	Roller Diameter (mm)	Swivel Top (mm)	Weight of set (kg)
GLS-20T-KIT	20	120	120	108	18 dia	130 dia	50

## GARRICK

### Individual Load Skates

- Can be used in multiples to carry heavy loads
- Adaptable to many uses



Model	Capacity (Tonne)	Length Support (mm)	Width Support (mm)	Total Height (mm)	Net Weight (kg)	Gross Weight (kg)
GLS-10T	10	206	100	67	5.2kg	7.3kg
GLS-15T	15	216	112	74	6.2kg	8.3kg

#### Load Skate Kit

The individual Skates are rated at 10T each, but used as a kit of 4 pieces, the total capacity is rated at 20T in the event that 2 Skates are carrying the whole load on uneven surfaces, plus the use of turntables, packing plates & bars also reduces possible effective capacity





IREGA are a specialist manufacturer of adjustable wrenches ONLY, and have machinery and technology dedicated to making products of the highest quality



## Chrome Adjustable Wrenches Model 77 - Traditional Design

Sizes from 4" to 30"

- Manufactured in Spain exceeding the highest standards including ISO 6787, DIN 3117, BS 6333, ASME B107.8M
- Perfectly parallel jaw surfaces ensure grip of nut
- Precision ground jaw slides provide smoother action and accurate adjustment of jaw and handle
- Chrome finish
- Triple coated (2 Ni + 1 Cr) for perfect chrome adherence and maximum rust resistance

Model	Size	Jaw Opening
7704	4" 100mm	13mm
7706	6" 150mm	19mm
7708	8" 200mm	24mm
7710	10" 250mm	29mm
7712	12" 300mm	34mm
7715	15" 375mm	43mm
7718	18" 450mm	53mm
7724	24" 600mm	62mm
7730	30" 760mm	78mm



## Black Adjustable Wrenches Model 99 - Ergonomic Design

Sizes from 4" to 18"

- Non-protruding jaw shank
- Made from Chrome Vanadium steel permitting closer heat treatment tolerance of thin sections
- Thinner and longer jaws for greater accessibility in tight spaces
- Metric measuring scale on jaws for presetting and sizing of nuts, bolts etc.
- Ergonomic handle

Model	Size	Jaw Opening
9904	4" 100mm	13mm
9906	6" 150mm	19mm
9908	8" 200mm	24mm
9910	10" 250mm	29mm
9912	12" 300mm	34mm
9915	15" 375mm	43mm
9918	18" 450mm	53mm



## Black Adjustable Wrenches Model 77 - Traditional Design

Sizes from 4" to 24"

- Manufactured in Spain exceeding the highest standards including UNE 16-532, ISO 6787, DIN 3117, ASME B107.8M
- Perfectly parallel jaw surfaces ensure grip of nut
- Precision ground jaw slides provide smoother action and accurate adjustment of jaw and handle
- Black Phosphate finish

Model	Size	Jaw Opening
B7704	4" 100mm	13mm
B7706	6" 150mm	19mm
B7708	8" 200mm	24mm
B7710	10" 250mm	29mm
B7712	12" 300mm	34mm
B7715	15" 375mm	43mm
B7718	18" 450mm	53mm
B7724	24" 600mm	62mm



## Model 92 Wrenches

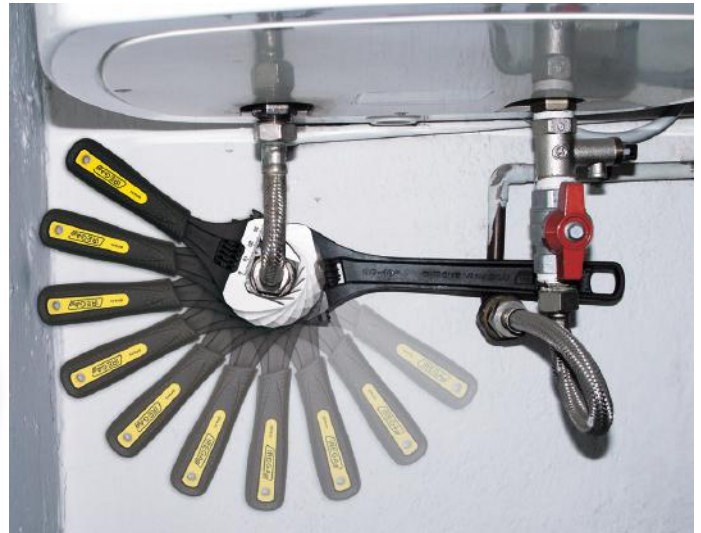
Sizes from 4" to 18"

- Wider jaw opening than traditional models
- Non-protruding jaw shank
- Perfectly parallel jaw surfaces ensure correct grip on nuts
- Chrome Vanadium steel - great resistance, minimum wear, unbeatable durability
- Thinner and longer jaws for greater accessibility in tight spaces
- Triple coated chrome finish
- Metric measuring scale on jaws for presetting and sizing of nuts, bolts etc
- Ergonomic handle design makes work easier and more efficient

Non-protruding jaw shank & wider jaw opening

Model	Size	Jaw Opening
9204	4" 100mm	13mm
92W06	6" 150mm	24mm
92W08	8" 200mm	30mm
92W10	10" 250mm	34mm
92W12	12" 300mm	39mm
9215	15" 375mm	43mm
9218	18" 450mm	53mm





Ideal for use in confined spaces.

## SWO Adjustable Wrenches

### - Super Wide Opening

Sizes: 6" and 8"

- Compact handle with large head capacity for where accessibility is a problem (e.g. Plumbing or Automotive), or where light weight is an advantage such as Maintenance applications
- 6" SWO opens up to 1.3/8" (34mm), 8" SWO opens up to 1.1/2" (39mm)
- Non-protruding jaw shank
- Replaceable Rubber Grip prevents damage to adjacent surfaces in confined spaces and allows more comfortable application of greater force on its shorter handle
- Longer, thinner Jaws for greater accessibility
- Made from Chrome Vanadium steel
- Ideal for Maintenance, Plumbing, Automotive etc



Blister Packaging.

Model	Size	Jaw Opening	Packaging
SW099-06	6" 150mm	34mm	Bulk
SW099-06-BL	6" 150mm	34mm	Blister
SW099-08	8" 200mm	39mm	Bulk
SW099-08-BL	8" 200mm	39mm	Blister

## Available in Bulk Counter Top Merchandiser with

6 x 6" (SW099-MERCH-8)

6 x 8" (SW099-MERCH-6/8) wrenches.



Lightweight and compact adjustable wrench. Always handy: anytime, anywhere.



Scan for Video







## 1000V Insulated Adjustable Wrenches

Sizes from 6" to 12" – 6" and 8" are Super Wide Opening Jaw

- For work on voltage up to 1,000V AC or 1,500V DC
- Each individual insulated wrench is submitted to a high voltage test according to the EN-60900 Standard (equivalent IEC-900). That is, 10,000 Volts for 10 seconds, and only those that pass the test are accepted
- The handles are insulated with "plastisol" material made of three layers of different colours to warn of danger due to damage - Red (Guaranteed), Orange (Caution) & Yellow (Danger)
- Available in sizes of 6" (150mm), 8" (200mm), 10" (250mm) 12" (300mm)

Model	Size
INS-06-SWO	6" 150mm
INS-08-SWO	8" 200mm
INS-10	10" 250mm
INS-12	12" 300mm
INS-15	15" 350mm

**Important: Insulated adjustable wrenches cannot be homologated to VDE standards because the part used for adjustment (the knurl) cannot be insulated. Consequently, complete user's security cannot be guaranteed**



## Xtra Slim Jaw Adjustable Wrenches

Sizes: 100mm (4"), 150 mm (6") and 200 mm (8")

- Compact handle with large head with the added benefit of greater accessibility due to the design of the Xtra Slim jaw which is 50% thinner than standard wrenches with a similar opening
- Based on the design of the standard SWO (Super Wide Opening) range, but with much thinner jaws.
- Can fit into spaces and on thin lock nuts that other wrenches can't reach
- Incorporates all the other features of the standard SWO range

SW092-XS-MERCH-6/8

Merchandise includes:

6 x SW092-06-XS

6 x SW092-08-XS

Model	Size	Opening	Jaw Opening	Weight
92-XS-04	4" 100mm	Standard	13mm	50g
92-XS-06	6" 150mm	Standard	13mm	126g
SW092-06-XS	6" 150mm	Super Wide	35mm	200g
SW092-08-XS	8" 200mm	Super Wide	39mm	335g



## Reversible Jaw Wrenches

- Wider jaw opening than traditional models

4 Sizes: 6", 8", 10", 12"

- A Reversible Jaw with Xtra Capacity allows for working with bigger diameter nuts and pipes with the same adjustable wrench

Scan for Video



Model	Size	Jaw Opening
92WR06	6" 150mm	27mm
92WR08	8" 200mm	34mm
92WR10	10" 250mm	40mm
92WR12	12" 300mm	45mm





## Aluminium Pipe Wrenches

Sizes from 14" to 48" – Straight / Offset

High strength construction with large capacity jaws and induction hardened teeth to retain sharp edge

- **Straight Aluminium Pipe Wrench**  
High strength construction with large capacity jaws and induction hardened teeth to retain sharp edge
- **Offset Aluminium Pipe Wrench**  
Exceptionally strong, yet ultra light. Ideal for use in confined space such as when pipe is against a wall
- **Spare Parts**  
– Such as replacement hook & heel jaws, etc readily available  
Parts interchangeable between models of same size and also suit many opposition brands

Model	Pipe Wrench Size	Maximum Pipe Size
PWA-14	14"	2"
PWA-18	18"	2 ½"
PWA-24	24"	3"
PWA-36	36"	5"
PWA-48	48"	6"



Model	Offset	Pipe Wrench Size	Maximum Pipe Size
PWA-OS-14	90°	14"	2"
PWA-OS-18	90°	18"	2 ½"
PWA-45D-14	45°	14"	2"
PWA-45D-18	45°	18"	2 ½"



## Steel Pipe Cutters

Model: 6042-1 (1.1/4")

Model: 6050-1 (2")

Precision drop forged steel construction for easy burr-free cutting

- Spring system by washers for a better cut & longer Cutter Wheel life
- Instant cutter wheel change system (no tool required)



## Heavy-duty Steel Pipe Cutter

Model: 6054-1 (4" / 114mm)

Precision die cast steel body for easy burr-free cutting

- Spring system by washers for a better cut & longer cutter wheel life
- Instant cutter wheel change system (no tool required)
- Includes a Tommy Bar extension handle on the end of cutter for extra leverage when cutting larger diameter pipes



Scan for Video



## Tube Cutters

### Mini Tube Cutters 3 - 30mm

Model: 6430-1

Fully adjustable precision tube cutting in limited space.

- Threading of Feed Screw on steel socket
- Instant cutter wheel change system (no tool required)
- Ergonomic knob
- Spare cutter wheel in knob
- On backing card for merchandising



Spare Cutter Wheel In Knob



### Standard No.30 Tube Cutter 3-30mm

Model: 7330-1

Standard economical style of Tube Cutter.

- Threading of Feed Screw on steel socket
- Instant cutter wheel change system (no tool required)
- Ergonomic knob
- On backing card for merchandising



## Chain & Strap Wrenches

### Strap Wrench

High strength aluminium alloy construction with nylon strap for positive grip without marking surfaces.

- Model: SW8 (1"– 8")



### Chain Wrenches

#### Reversible Chain Wrench

High strength positive grip for tightening and loosening without removal of chain.



#### Heavy-duty Chain Wrench

Designed for the most demanding jobs.

Double-sided head and quick-release action.

Size	Reversible Chain Wrench	Heavy Duty Tongue Chain Wrench
2-1/2"	-	CW-2.5
4"	CWR-4	CW-4
6"	-	CW-6



## Telescopic Tube Cutters

Model: 7435-1 (3 - 35mm)  
 Model: 7445-1 (3 - 45mm)  
 Model: 7476-1 (6 - 76mm) \*\*



- Magnesium alloy body for light weight
- Threading of Feed Screw on steel socket
- Instant cutter wheel change system (no tool required) - 4 rollers for a better location of the tube
- Completely removable professional reamer
- Spare cutter wheel on the cap of the knob
- On backing card for merchandising

\*\* Includes Quick-Release Adjustment System knob



## Tube Benders

### Multi Tube Bender

Model: TB-MB  
 Compact precision bender for tube bending to 180°

- 3 sizes in one tool: 1/4", 5/16", 3/8" O.D.



### Universal Tube Benders

Model: TB-10 (3/8")  
 • Individual precision benders for tube bending to 180°

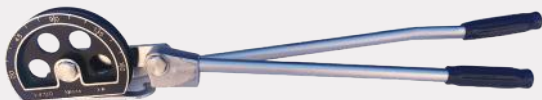


### Professional Tube Benders

Model: TB-12 (1/2")  
 Model: TB-20 (3/4")



- Easier and more accurate to use
- Offset handles and grips for ultimate comfort
- Angle markings for reference to 180°



## Tube Bending Spring Set

Model: TB-SPRING - Set of 5

- One flared end for easy installation and removal
- Will not collapse tube walls during bending
- Made of heavy duty steel spring with nickel finish
- Packaged in durable vinyl sleeve
- 1/4", 5/16", 3/8", 1/2", & 5/8"



## Basin Wrench 32mm

Model: 6200-1

- Made from drop forged steel
- Hook can be positioned to the right or left



## Flaring Tools

### Universal Flaring Tool

Model: FT-U

- Unique economic self-adjusting flaring tool
- Compact & easy to use, with innovative infinitely adjustable tube holding mechanism



### Refrigerant Flaring Tool Kit

Model: FT-HDE

- 45° flares on standard copper or tougher materials such as mild steel, stainless steel & R410 gas compliant copper
- Eccentric cone enables easier operation
- 1/4" - 3/4" O.D.



### Double Flaring Tool Kit

Model: FT-DFS

- 45° single or double flares
- Includes flaring tool, 7x double flare attachments & Tube Cutter
- 3/16" - 5/8" O.D.



## Expander Kit

Model: TE-M

- Single-stage expanders designed to expand tubing for fast, accurate joints in soft copper, aluminium and soft steel tube without using fittings.
  - The mechanism is free-floating and self-centring
- Sizes: 3/8", 1/2", 5/8", 3/4", 7/8", 1", 1-1/8"







## Plastic Pipe Shears

Easily cuts plastic pipe and tubing such as PVC and CPVC, as well as PEX, polyethylene, polybutylene and rubber hose.

- Easy, straight & precise cut - minimal effort required
- Lightweight strong Magnesium Alloy diecast body
- Instant cutter wheel change system (no tool required)
- Stainless Steel blade made in Solingen, Germany with special edge geometry and PTFE (Teflon) coating - will not stick to material
- Automatic blade release
- Cam action cutting produces a cleaner more precise cut.
- Rolling edges have elliptical support to minimise deformation of pipe through the cut
- On backing card for merchandising



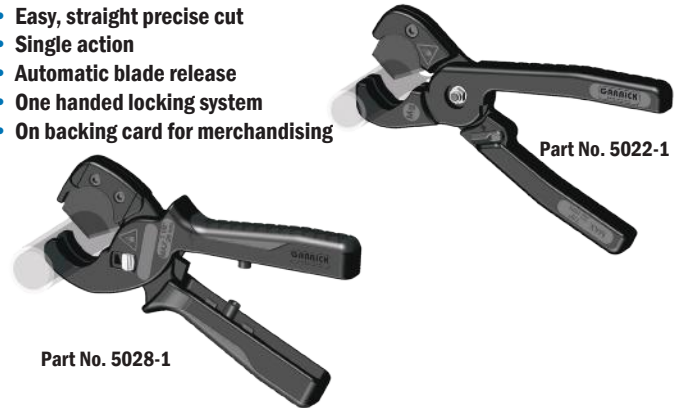
Model	Description	Capacity
5026-1	Plastic Pipe Shear	26mm
5035-1	Plastic Pipe Shear with 'V' shaped blade	35mm



## Plastic Hose/Conduit Cutters

Cuts plastic and pneumatic hoses and PEX tubes

- Lightweight strong Magnesium Alloy diecast body
- Teflon coated blade - will not stick to material
- Easy, straight precise cut
- Single action
- Automatic blade release
- One handed locking system
- On backing card for merchandising



Model	Description	Capacity
5022-1	Plastic hose/ conduit cutter	22mm
5028-1	Plastic hose/ conduit cutter	28mm



## Internal/External Deburrer

Model: 6100-1 (3-42mm capacity)

- ABS Body
- Blades made in Solingen, Germany
- Positive, comfortable grip
- On backing card for merchandising



## Pressure Test Pump



### GARRICK Manual Pressure Test Pump

Model: TPRP50

- Durable, precision unit for accurately testing all tube/pipe systems & pressure vessels. Working parts rust-proofed, 12L tank is galvanised, epoxy coated.
- Large capacity pressure testing pump
- Double check valves with stainless steel ball seats
- Accurate readings up to 50 bar / 700 psi
- 12 litre tank capacity



## Ratcheting Plastic Pipe Shears

Easily cuts plastic pipe and tubing such as PVC and CPVC, as well as PEX, polyethylene, polybutylene and rubber hose.

- One handed operation ratcheting action cut
- When left open, blade is not exposed.
- Easy, straight & precise cut - minimal effort required
- Lightweight but strong Magnesium Alloy diecast body
- Stainless Steel blade made in Solingen, Germany with special edge geometry and PTFE (Teflon) coating - will not stick to material
- 'V' shaped blade to pierce tube allowing the cut to start easier



Model	Description	Capacity	Rubber Comfort Grip	One Handed Blade Release
5042-1	Plastic Pipe Shear with 'V' shaped blade	42mm		✓
5050-1	Plastic Pipe Shear with 'V' shaped blade	52mm	✓	✓
5063-1	Plastic Pipe Shear with 'V' shaped blade	63mm	✓	✓



## Brazing & Soldering Torch

Model: TORCH-MAPP

- Faster and more efficient operation with swirl flame providing maximum heat.
- Ideal for soft soldering up to 4" and brazing up to 1.1/4" copper and steel tube
- Instant on/off provides easier ignition and increased fuel savings
- Adjustable Flame for better control in a variety of applications.
- Pressure-regulated, which allows the torch to burn in any direction with consistent performance
- Fits all leading disposable gas cylinders
- Cast Aluminium Body
- Lockable trigger for continuous operation
- Replaceable Swirl Flame Tip
- Suits Mapp or Propane Gas

Scan for video



## Air/Acetylene Torch Kit

Model: TORCH-ACETYLENE

- GARRICK Gas Torch uses Acetylene & Air
- No oxygen cylinder required - makes it easier to carry & use on site and cheaper operation
- Suitable for soft soldering and brazing of copper, brass, bronze and aluminium
- Burns hotter than MAPP torches making it suitable for larger work
- Includes brass construction regulator, contents gauge & flashback arrestor
- Gas hose is 3.7m long to allow manoeuvrability
- Comfortable handle includes Quick Connect fitting for easy changing of tips and safe storage
- Flame swirl tip design reduces brazing time
- Stainless steel & brass tip rotates 360 deg



No Oxygen Bottle required





## Natural Zeolite Absorbent

A natural absorbent for use with oil, petroleum and chemical spills of liquid and vapour

Model: FXZEO-10 - 15 Litre (10kg) bags

Model: FXZEO-15 - 22 Litre (15kg) bags

Zeolite is a rock type absorbent for use with oil, petroleum and chemical spills of liquid and vapour. It is a natural product formed due to intense volcanic activity about 250,000 years ago.

Due to its large internal surface area, it is faster acting & absorbs larger quantities than most other "kitty litter" types of absorbent.

Its high Cation Exchange Capacity allows vapour and odour absorbency.

Being a light weight clay, it is easy to handle, but not too light that it can't be used in windy or draughty outdoor conditions.

- Universal Absorbent
- Fast Acting
- 100% Natural
- Workplace & Ecology Safe
- Absorbs liquids, vapours and odours
- Carefully screened particle size for maximum surface area contact with spill
- 22 Litre bag weighs 15 kg to comply with OH&S safe lifting requirements



## Universal Organic Absorbent

An eco-friendly, fast acting, high absorbency coir product for safe and efficient cleanup of liquid spills

Spillfix can absorb up to 5 times its own weight in liquids. It is faster acting than other absorbents - absorbing 90% capacity in under 10 minutes.

- Coir is a natural and renewable resource that is free of any chemicals and toxins, produced as a by-product when coconut husks are processed
- The coir is washed, heat treated, screened and graded to a unique absorbent specification before being packed
- Spillfix Universal Organic Absorbent is consistent and uniform in texture and is a completely homogenous material composed of millions of capillary micro-sponges
- It demonstrates a preference for hydrocarbons (e.g. oil) over water and will remove hydrocarbons from an oil / water emulsion making it suitable for emergency road response application
- Spillfix is a highly stable absorbent that is suitable for use in a wide range of hazardous spill applications including acids & caustics. The inert nature of the media does not cause any reaction with unstable liquid chemicals
- It has been tested to the USEPA Leachate standards for landfill disposal (always check with local authorities). It is biologically stable and free of harmful micro-organisms. When absorbed media is disposed of, it provides a perfect environment for the development of bio-degrading organisms that can oxidise contaminated waste



ABSORBENCY COMPARISONS		
Absorbent	by Mass	by Volume
Spillfix (coir)	295%	67%
Diatomite (clay) ("Kitty Litter" type)	40%	27%

## EverSoak™

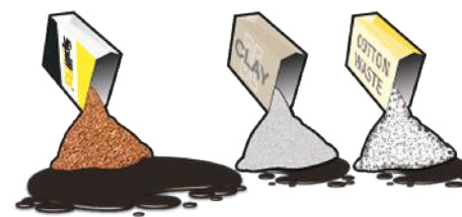
### Absorbent Pads

Manufactured in USA from recycled fibres  
Double the absorbency of most other pads

- Due to the extra thickness of Eversoak Absorbent Pads, independent tests have shown them to have double the fluid absorption capacity of competitors' general purpose pads.
- Made with 80% recycled cellulose fibers to create superior absorbency and a more cost effective alternative than oil based polypropylene sorbent pads.
- Class A fire retardant (lab tested per ASTM E84).
- Absorbs oil, water, grease, transmission fluid, coolants, and many other fluids.

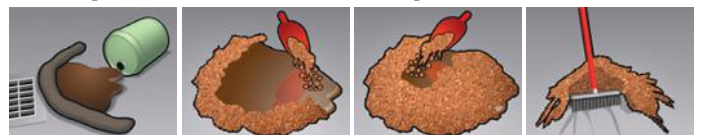


Model	Pad Size	Absorption Capacity	Qty per Carton
FXPAD	380 x 480 mm	1.5 Litres of oil	50



SpillFix Universal Organic Absorbent works faster and absorbs more than most other absorbents.

### Simple to Use and Clean-Up



- Identify and isolate spill. Always follow workplace procedures for clean-up and disposal.
- Apply absorbent to the perimeter of the spill to form a bund and stop spill migration.
- Continue to apply absorbent working to the centre until spill is completely covered and no free liquid is visible.
- Sweep with a stiff broom working dry material over spill area to remove all surface oil. Dispose of in accordance with local regulations

Model	Size	Weight per Bag	Qty per Pallet
FX15L	15 Litre Bag	3 kg	122
FX50L	50 Litre Bag	9 kg	72





## Workshop or Yard Universal Spill Kits

Larger kits in “wheelie bin” storage so that they can be taken quickly and easily to the spill.

- Kits contain bags of Universal Organic Absorbent, Booms, Pads, Waste Bags & Ties, Dustpan & Broom, Gloves, Instruction Card, MSDS & Contents Re-order Sheet
- Refill components readily available



Model	Description	Used For:
FXSKLGE	Larger kit in a 240 litre Wheelie Bin	warehouses, production plants, workshops, truck stops and loading bays etc
FXSKMED	Medium kit in a 120 litre Wheelie Bin	Small manufacturing facilities, laboratories, workshops, liquid storage areas and service stations.



## Organic Absorbent Booms

1.5m & 3m Booms filled with the same Spillfix Universal Organic Absorbent, providing excellent absorption and surface contact to contain a spill prior to application of the loose absorbent material.

Spillfix Booms have strong wicking action – the nature of the coir absorbent provides a strong “wicking” action away from the surface meaning the spill is directed throughout the boom.



- The design of the organic boom provides increased surface contact to trap migrating liquids, maximise the absorbent action, and prevent leakage under the boom
- Because the Spillfix Universal Organic Absorbent used to fill the booms prefer hydrocarbons (e.g. oil) over water, they are ideal in an outdoor situation in wet conditions. If the boom becomes wet, the water will be sacrificed in favour of the oil spill to be contained. Some other booms will not absorb water, creating a dam with a backup of water. The oil will then float over the top of the boom, defeating the purpose of the exercise.



Model	Size (length)	Absorption Capacity	Qty per Carton
FXB1.5	1.5 m	7.5 Litres of oil	4
FXB3	3 m	15 Litres of oil	2



## Compact Spill Kit for Utes

Model: FXSKUTE

- Kit contains Universal Organic Absorbent, Boom, Absorbent Pad, Waste Bag & Tie, Gloves, Instruction Card & Material Safety Data Sheet



## Transport or Workshop Universal Spill Kits

Economical Kit that can be stowed in vehicle cabin or conveniently hung in smaller workshops.

Model: FXSKBAG

- Kit contains Universal Organic Absorbent, Boom, Pads, Waste Bag & Tie, Dustpan & Broom, Gloves, Instruction Card & Material Safety Data Sheet
- Compact Kit that even includes tools for disposal after fixing spill.
- Refill components readily available.



**As we assemble all Spill Kits in our warehouse, we can vary the contents to suit any custom requirement**



## Bio-Waste Absorbent

Spillfix Bio-Waste is a natural, non-toxic absorbent powder that rapidly immobilises potentially infectious spills such as blood, vomit, urine & faeces that come from humans and animals.

- The spill is rapidly solidified to allow for easy sweep up and safe disposal, minimising risk of personal contact and contamination
- Available in 500ml sachets, 5 litre resealable plastic containers, or as a spill kit



**Bio-Waste Absorbent is also great for getting spilt red wine out of carpets!**

Model	Description
FXBW500ML	500ml sachets
FXBW5L	5 litre resealable plastic containers
FXSKBW	Kit containing 500ml Bio-Waste Absorbent, Gloves, Apron, Mask c/w Eyeshield, Scoops, Clinical Waste Bags, Hygienic Alcohol Wipes, Instructions and Material Safety Data Sheet.



## Soluble Cutting Oil

A milky white, mineral based, general purpose water miscible cutting fluid.

Model: SOL5 (5 L)

Model: SOL20 (20 L)

Recommended Dilutions:

General Purpose Machining 1 : 20

Milling, Drilling & Tapping 1 : 10

Machining Cast Iron & Grinding 1 : 25

It is essential to add a calculated volume of oil to a known volume of water and mix well. (Adding water to oil may result in separation). At recommended dilutions, the product is classified as non-hazardous.

205 L Drum also available



5 L Container



20 L Container



## Neat Threading Oil

Model: SP-OIL-5 (Standard - 5 L)

Model: SP-OIL-20 (Standard - 20 L)

Model: SP-OIL-5HT (High Grade - 5 L)

Model: SP-OIL-20HT (High Grade - 20 L)

- The same cutting oil used in threading machines is ideal for general use such as drilling, tapping etc.
- High grade also available for stainless and high tensile steels.



5 L container

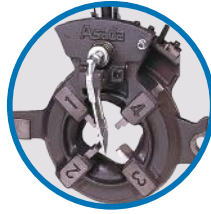


20 L container





## Asada Dies & Dieheads Compatability



**Automatic Die-Head  
for Pipe Machines**



**Manual Die Head for  
Pipe Machines**

Model	Diehead to Suits ASADA	Asada Machines						
		B25	B50	B50-AT	B80-AT	B100-AT	BTM25	BTM25-L
SDH20158	ASADA Diehead M10 - M24 (to suit Pipe m/c's)		●	●	●	●		
	ASADA Diehead 1/4" - 3/8" BSPT & NPT							
SDH63090	ASADA Diehead 1/2" - 2" BSPT & NPT (Manual)		●					
SDHBE001	ASADA Diehead 1/2" - 2" BSPT (Auto)			●	●	●		
SDH52200	ASADA Diehead 2*1/2" - 3" BSPT (Auto)				●			
SDH64200	ASADA Diehead 2*1/2" - 4" BSPT & NPT (Auto)					●		
SDH10118	ASADA Diehead M8 - M24 (to suit BTM25 & BTM1)						●	
SDH10126	ASADA Diehead BTM1 & BTM25 Left Hand 8-24mm							●
SDHAS109	ASADA Diehead 1/4" - 3/8" BSPT, 3/8-1 BSW to suit B25 Pipe m/c	●						
SDHBE380	ASADA Diehead 1/2"-1" BSPT & NPT to suit B25 Pipe m/c	●						
SDHAS110	ASADA Diehead M10 - M24 (to suit B25 Pipe m/c only)	●						
SDH20157	ASADA Diehead 1*1/2" - " BPS; Met Cond 40-63mm		●	●	●	●		

Model	ASADA Dies	SDH20158	SDH63090	SDHBE001	SDH52200	SDH64200	SDH10118	SDH10126	SDHAS109	SDHBE380	SDHAS110	SDH20157
SD89046	ASADA Dies Alloy 1/4in - 3/8in BSPT	●							●		●	
SD89211	ASADA Dies Alloy 1/2in - 3/4in BSPT		●	●								
SDAS086	ASADA Dies Alloy 1/2in - 3/4in BSPT (to suit AST-1 & B25)									●		
SDAS087	ASADA Dies Alloy 1in BSPT (to suit AST-1 & B25)									●		
SD89227	ASADA Dies Alloy 1in - 2in BSPT		●	●								
SD89228	ASADA Dies Alloy 2*1/2in - 3in BSPT (Auto)				●							
SD59803	ASADA Dies Alloy 2*1/2in - 4in BSPT (AST AUTO)					●						

Model	ASADA Dies	SDH20158	SDH63090	SDHBE001	SDH52200	SDH64200	SDH10118	SDH10126	SDHAS109	SDHBE380	SDHAS110	SDH20157
SD89053	ASADA Dies HSS 1/4in - 3/8in BSPT	●										
SD89203	ASADA Dies HSS 1/2in - 3/4in BSPT		●	●								
SD89248	ASADA Dies HSS 1in - 2in BSPT		●	●								
SD89249	ASADA Dies HSS 2*1/2in - 3in BSPT (AST Auto)				●							
SD59966	ASADA Dies HSS 2*1/2in - 4in BSPT (Auto)					●						

Model	ASADA Dies	SDH20158	SDH63090	SDHBE001	SDH52200	SDH64200	SDH10118	SDH10126	SDHAS109	SDHBE380	SDHAS110	SDH20157
SD89100	ASADA Dies Alloy 1/4in - 3/8in NPT	●										
SD89101	ASADA Dies Alloy 1/2in - 3/4in NPT		●	●								
SD89102	ASADA Dies Alloy 1in - 2in NPT		●	●								
SD89245	ASADA Dies Alloy 2*1/2in - 3in NPT (Auto)				●							
SD59912	ASADA Dies Alloy 2.1/2in - 4in NPT (AST Auto)					●						

Model	ASADA Dies	SDH20158	SDH63090	SDHBE001	SDH52200	SDH64200	SDH10118	SDH10126	SDHAS109	SDHBE380	SDHAS110	SDH20157
SD89157	ASADA Dies HSS 1/2in - 3/4in NPT		●	●								
SD89158	ASADA Dies HSS 1in - 2in NPT		●	●								
SD89282	ASADA Dies HSS 2*1/2in - 3in NPT (Auto)				●							
SD59997	ASADA Dies HSS 2.1/2in - 4in NPT (Auto)					●						

## Asada Dies & Dieheads Compatability



Model	ASADA Dies	SDH20158	SDH63090	SDHBE001	SDH52200	SDH64200	SDH10118	SDH10126	SDHAS109	SDHBE380	SDHAS110	SDH20157
SD89001	ASADA Dies Alloy M8						●					
SD89002	ASADA Dies Alloy M10	●					●				●	
SD89003	ASADA Dies Alloy M12	●					●				●	
SD89140	ASADA Dies Alloy M14 - M16	●					●				●	
SD89141	ASADA Dies Alloy M18 - M22	●					●				●	
SD89009	ASADA Dies Alloy M24	●					●				●	
SD89192	ASADA Dies Alloy M27 (to suit Pipe m/c's)		●									
SD89193	ASADA Dies Alloy M30-M33 (to suit Pipe m/c's)		●									
SD89194	ASADA Dies Alloy M36 (to suit Pipe m/c's)		●									
SD89234	ASADA Dies Alloy M42 (to suit Pipe m/c's)		●									

Model	ASADA Dies	SDH20158	SDH63090	SDHBE001	SDH52200	SDH64200	SDH10118	SDH10126	SDHAS109	SDHBE380	SDHAS110	SDH20157
SD18522	ASADA Dies HSS M8						●					
SD18523	ASADA Dies HSS M10	●					●			●		
SD18524	ASADA Dies HSS M12	●					●			●		
SD18538	ASADA Dies HSS M14-16	●					●			●		
SD18539	ASADA Dies HSS M18-22	●					●			●		
SD18530	ASADA Dies HSS M24	●					●			●		

Model	ASADA Dies	SDH20158	SDH63090	SDHBE001	SDH52200	SDH64200	SDH10118	SDH10126	SDHAS109	SDHBE380	SDHAS110	SDH20157
SD89164	ASADA Dies L/H Alloy 8mm							●				
SD89165	ASADA Dies L/H Alloy 10mm							●				
SD89166	ASADA Dies L/H Alloy 12mm							●				
SD89167	ASADA Dies L/H Alloy 14-16mm							●				
SD89168	ASADA Dies L/H Alloy 18-22mm							●				
SD89169	ASADA Dies L/H Alloy 24mm							●				

Model	ASADA Dies	SDH20158	SDH63090	SDHBE001	SDH52200	SDH64200	SDH10118	SDH10126	SDHAS109	SDHBE380	SDHAS110	SDH20157
SD18556	ASADA Dies L/H HSS 8mm							●				
SD18541	ASADA Dies L/H HSS 10mm							●				
SD18542	ASADA Dies L/H HSS 12mm							●				
SD18543	ASADA Dies L/H HSS 14-16mm							●				
SD18544	ASADA Dies L/H HSS 18-22mm							●				
SD18555	ASADA Dies L/H HSS 24mm							●				

Model	ASADA Dies	SDH20158	SDH63090	SDHBE001	SDH52200	SDH64200	SDH10118	SDH10126	SDHAS109	SDHBE380	SDHAS110	SDH20157
SD89079	ASADA Dies Alloy 5/16" BSW						●					
Various	ASADA Dies Alloy from 3/8" to 1" BSW	●					●				●	
SD18503	ASADA Dies HSS 5/16" BSW	●					●					
Various	ASADA Dies HSS from 3/8" to 1" BSW	●					●				●	

Various	ASADA Dies Alloy from 3/8" to 1" UNC	●					●				●	
---------	--------------------------------------	---	--	--	--	--	---	--	--	--	---	--

Various	ASADA Dies Alloy from 3/8" to 1" UNF	●					●				●	
---------	--------------------------------------	---	--	--	--	--	---	--	--	--	---	--

SD89110	ASADA Dies Metric Conduit 16mm - 20mm		●									
SD89111	ASADA Dies Metric Conduit 25mm - 32mm		●									
SD89209	ASADA Dies Metric Conduit 40mm - 63mm											●

## A

Abrasive Belts	21
Abrasive Discs	20
Abrasive (Linishing) Belts	21
Absorbent	42-44
Adjustable Wrenches	35-37
Air/Acetylene Torch Kit	41

## B

Bandsaw Blades	12
Bandsaws	11-12
Bar Benders	4
Basin Wrench	39
Belt & Disc Grinding Attachment	18
Belt Grinders	17-19
Belt Grinding Attachments	19
Belt Grinding Machines	
Bench-mounted	19
Pedestal-mounted	19
Bench Grinder Accessories	
Mitre Table	18
Pedestal	18
Bench Grinders	17-18
Bench Punch	
Hand Lever	10
Benders	
Bar	4
Pipe	6
Rod	4
Tube - Hand	39
Tube - Hydraulic	6
Tube - Manual Thin Wall Steel	4
Benders - Pool Fence	4
Bio-Waste (Absorbent)	44
Bolt Threaders	23
Booms (Absorbent)	43
Box & Pan Sheetmetal Folder	8
Brazing & Soldering Torch	41
Builders Hoist	32

## C

Chain Blocks	30
Chain Wrenches	38
Chain Vice	25
Chassis Hole Punches	10
Clamps	
Girder	31
Plate	31
Compact Builders Hoist	32
Compact Spill Kit	43
Conduit Cutters	40
Contact Wheels	
Rubber	21
Curving Rolls	
Bench	9
Sheetmetal	9
Cutting Oil	44

## D

Deburrer	40
Die Heads	23
Die Head Compatability Chart	46-47
Drill Drift	10, 15
Drill Presses	14

## E

Electric Chain Hoists	32
Expander Kits	39

## F

Flaring Tools	39
Folders	8
Footswitch	25

## G

Grade S Shackles	33
Girder Trolleys & Clamps	31
Grinders	
Accessories	18, 20
Belt (Linisher)	18-19
Bench	17-18
Grinding Wheels	20
Guillotine	
Hand Lever Shears	10
Sheetmetal	8
Treadle	8

## H

Hand Ratchet Pipe Threaders	25
-----------------------------	----

## I

Insulated Adjustable Wrenches	37
Industrial Load Skates	34

## L

Load Skates	34
Lever Hoists	30
Lifting Equipment	28-34
Linishers	18-19

## M

Manual Pressure Test Pump	40
---------------------------	----

## N

Natural Zeolite (Absorbent)	42
Nipple Chuck	23

## O

Oil	
Soluble & Neat Cutting Oil	44
Threading	23
Organic Absorbent	42



<b>P</b>			
Pads (Absorbent)	42	Skates - Load	34
Picket & Basket Twister Attachment	5	Shears	
Pipe		Hand Lever	10
Benders	6	Swage, Jenny & Wiring Machines	9
Cutters	38	Soldering & Brazing Torch	41
Saws	13, 27	Slings	
Stand	27	Flat Webbing	29
Threaders	22-23	Round	28
Wrenches	38	Spill Kits	43
Pipe Cutters	38	Stands	
Plastic Hose Cutters	40	Bar Bender	4
Plastic Pipe Shears	40	Bench Grinder	18
Plate Clamps	31	Pipe	27
Polishers	16	Roller	12
Pool Fence Tube Bender	4	Tube Bender	4
Portable Power Pipe Threaders	25	Swage, Jenny & Wiring Machines	9
Portable Work Stand	27		
Power Drive	26	<b>T</b>	
Pro Bender	7	Tapered Spindles	20
Pro bender Accessories	7	Test Pumps	40
Pressure Test Pumps	40	Threaders	22
Pumps (Pressure Test)	40	Threading Machine	
Punches		Pipe & Bolt	22
Chassis Hole Punches	10	Rod & Bolt	23
Hand Lever	10	Trolley Cart Beaver 50	22
		Trolley - Girder	31
		Tube Cutters	38
		Telescopic Tube Cutters	39
		<b>U</b>	
		Tube Benders	
		Electric	6
		Hand	39
		Hydraulic	6
		Manual Thin Wall Steel	4
		Pool Fence	4
		Tube Cutters	38
		Tube Springs Set	39
		<b>W</b>	
		Ute Spill Kit	43
		<b>Z</b>	
		Wire Wheels	20
		Wrenches	
		Adjustable	35-37
		Chain & Strap	38
		Wrought Iron Bender Attachment	5
		Zeolite Absorbent	42



460 - 462 The Boulevard,  
Kirrawee, NSW 2232

P.O. Box 3118, Kirrawee, NSW 2232

Phone: (02) 9545 6633 Fax: (02) 9545 4222

Email: [sales@garrickherbert.com.au](mailto:sales@garrickherbert.com.au)

Website: [www.garrickherbert.com.au](http://www.garrickherbert.com.au)