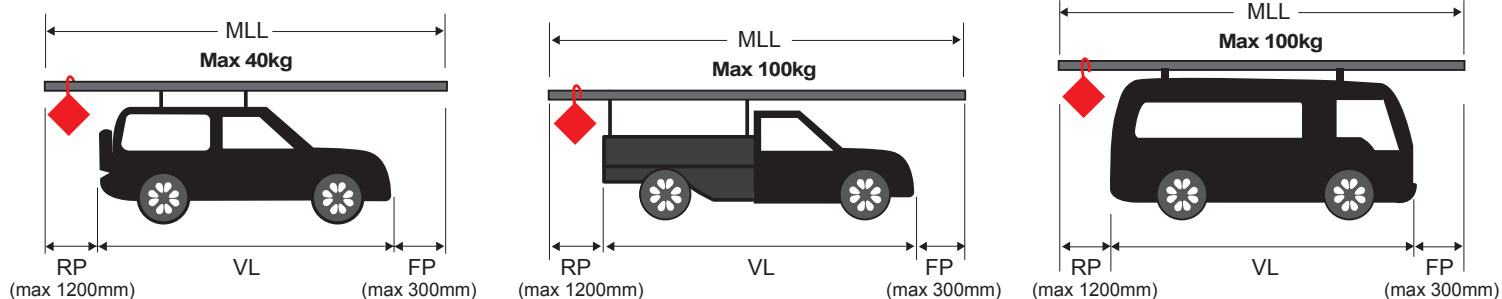


OVERHANG LIMITS



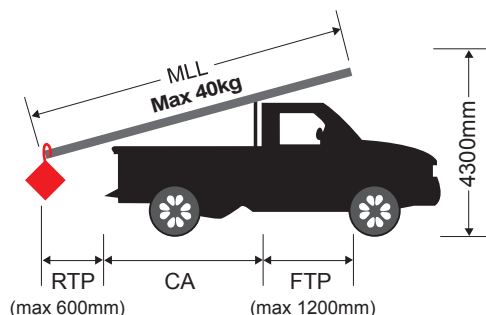
IT IS THE DRIVERS RESPONSIBILITY TO ENSURE THAT THE LOAD IS SAFELY SECURED BEFORE MAKING WAY

LIGHT VEHICLES (Less than 4.5t GVM)



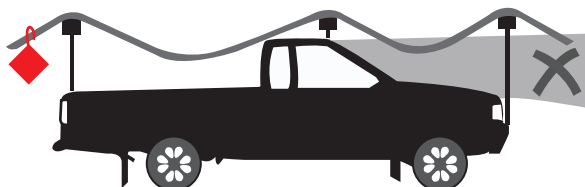
HORIZONTAL LOADS

- RP** = Rear Projection. Not to exceed 1200mm & a 300mm bright flag must be displayed when exceeding 300mm.
- VL** = Vehicle Length.
- FP** = Front Projection. Not to exceed 300mm.
- MLL** = Maximum Load Length*. Equals the sum of RP + VL + FP.



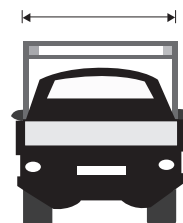
TAPER LOADS

- RTP** = Rear Tapered Projection. Not to exceed 600mm & a 300mm bright flag must be displayed if exceeding 300mm.
- CA** = Carrying Area (Tray Length).
- FTP** = Front Tapered Projection. Not to exceed 1200mm past support (rear of cab) or 4300mm in height.
- MLL** = Maximum Load Length*. Equals the Sum of RTP + CA + FTP.



NOT ACCEPTABLE

The drivers vision must NOT be obstructed



LOAD WIDTH

Must NOT overhang racks

DANGEROUS & UNSAFE LOADS

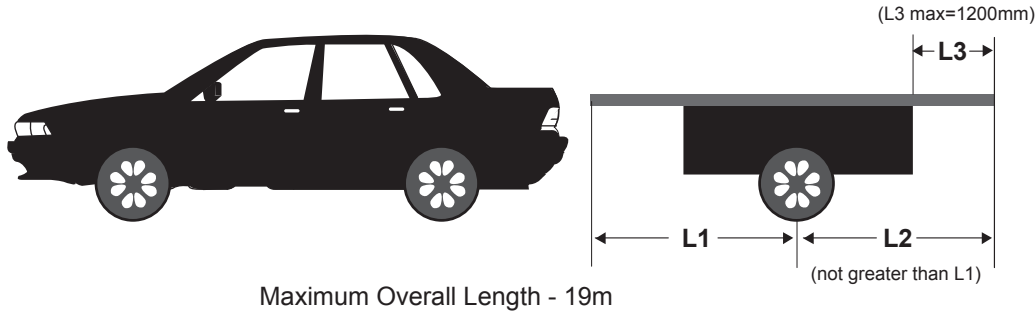
*Projections & overhangs that are deemed dangerous by Edcon Steel are not acceptable and will not be loaded, even if they come within the above guidelines

MORE INFORMATION: www.rms.nsw.gov.au

OVERHANG LIMITS



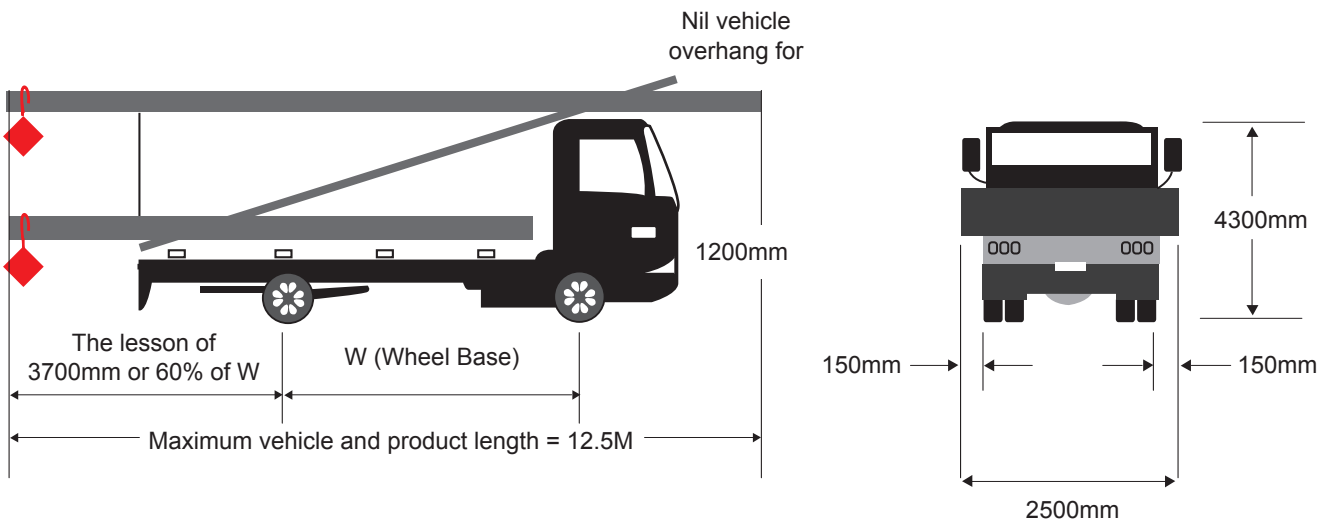
IT IS THE DRIVERS RESPONSIBILITY TO ENSURE THAT THE LOAD IS SAFELY SECURED BEFORE MAKING WAY



SINGLE & DUAL AXLE. BOX, CAR & BOAT

- MAXIMUM WIDTH** = 2500mm
- MAXIMUM SIDE OVERHANG** = 150mm
- REAR OVERHANG** = L2 must be equal to or less than L1
L3 not to exceed 1200mm & a 300mm bright flag must be displayed when exceeding 300mm
- FRONT OVERHANG** = Minimum 300mm from tow ball if product width is within the area of the draw bar
or
A clearance of 300mm to any possible impact point with the turning car

HEAVY VEHICLES (exceeding 4.5t GVM)



MORE INFORMATION: www.rms.nsw.gov.au